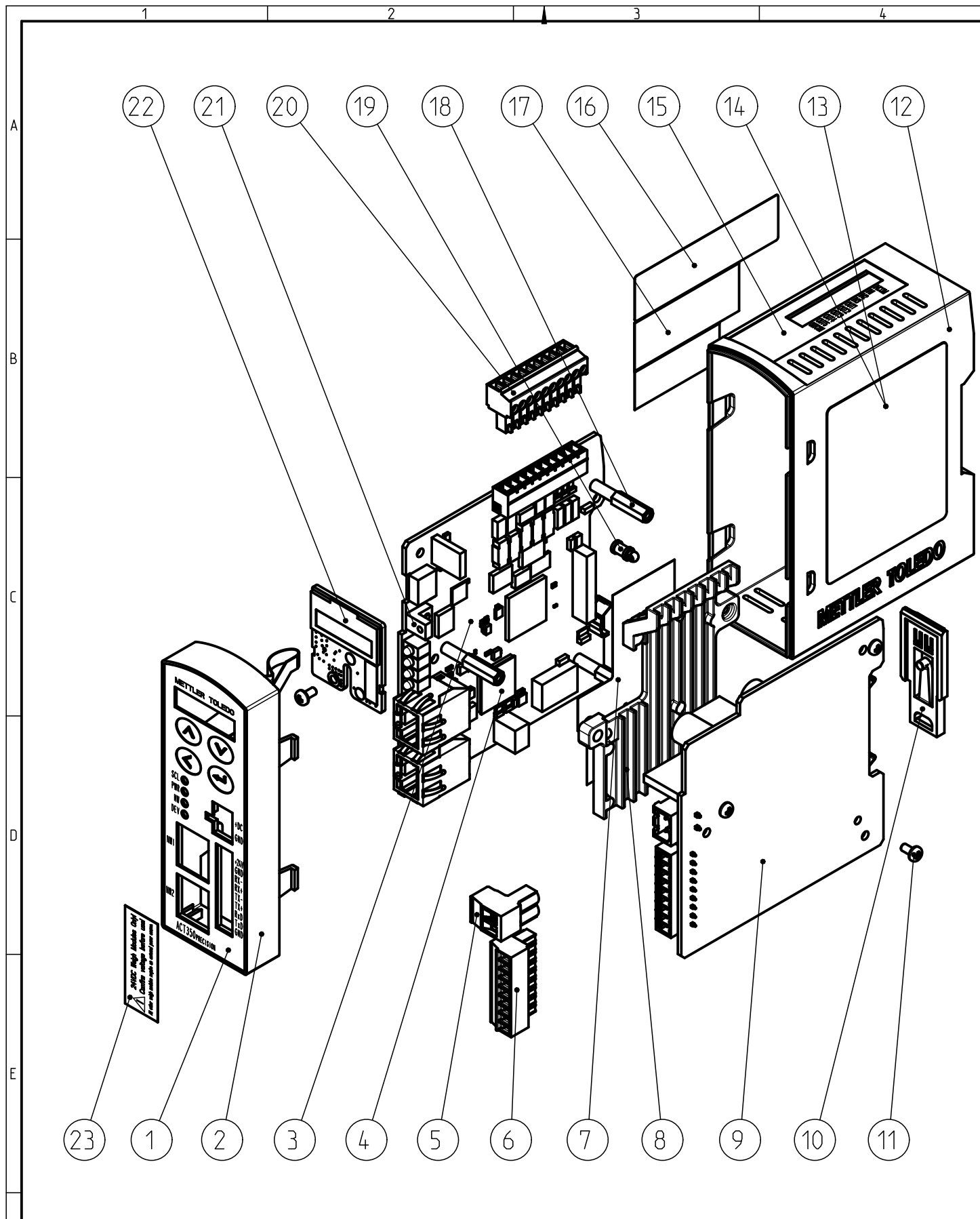


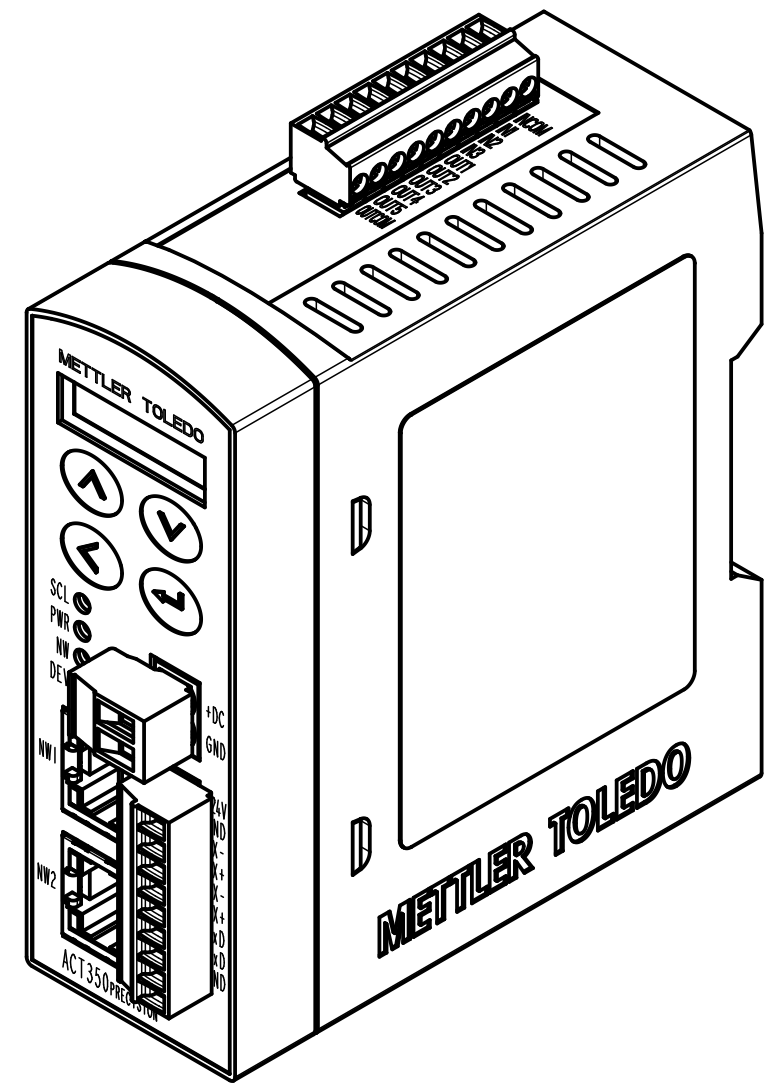
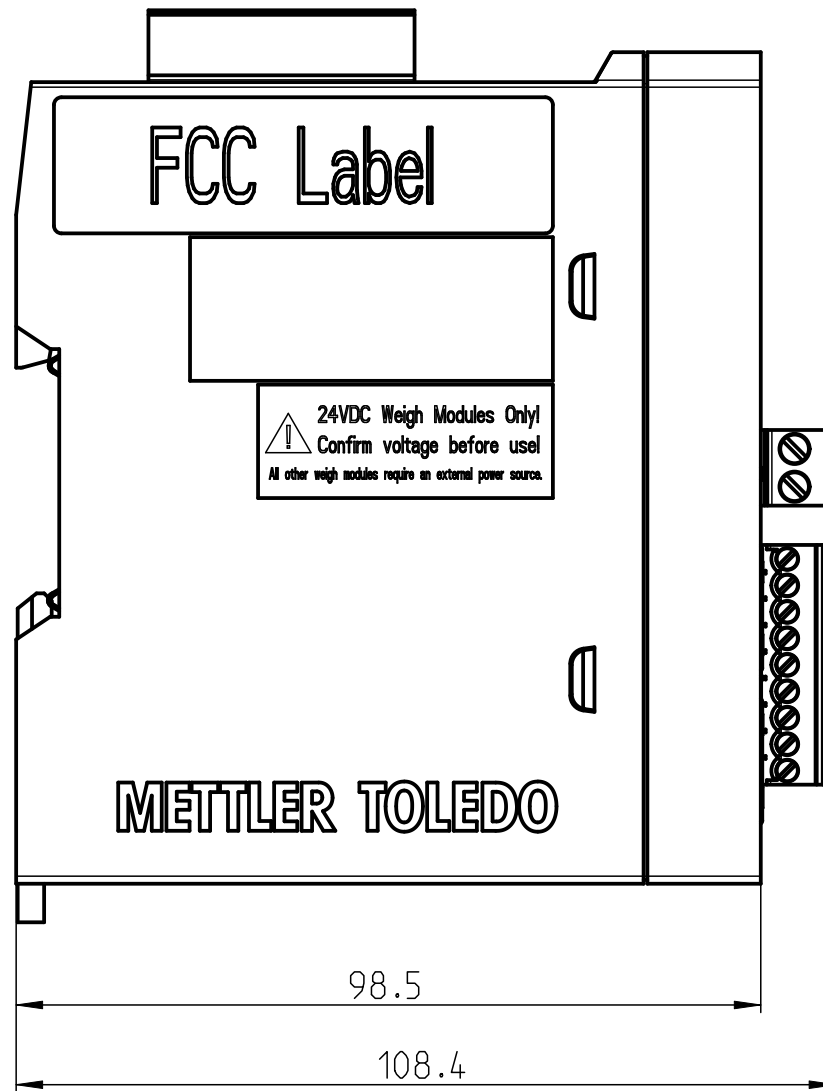
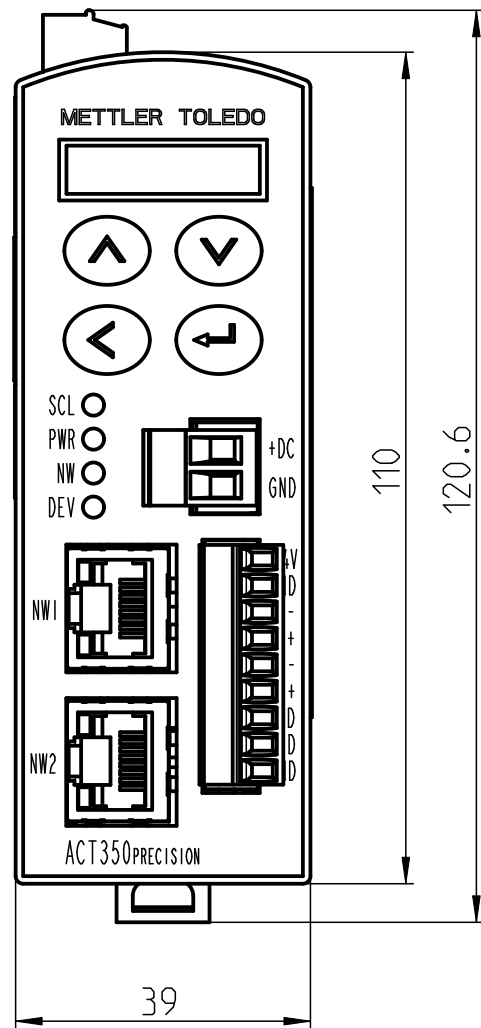
30476263	WEIGH TRANSM PRNT R35000D8000LCT0030
30476264	WEIGH TRANSM ETIP R35000D8000LCE0030



23	2	D000249026	30520152	Warning Label ACT350 Precision	PET
22	1	30139574	30139574	PCBAC,ACT350 Display Board	-
21	1	30076675		L Mount, ACT350	H62
20	1	46003359	46003359	CONNECTOR,TERM_PLUG,F,10P,3,50mm,180	ELO
19	2	30076704		Stud PA6 (Richco PST-4-01-6.4) ACT350	PA66
18	3	30076676		Standoff, M2.5x25 (2 in-threads)	H62
17	1	170332		Label,Static Warning Label,Export	POLYESTER SHEET
16	1	120154		Label,Retail Scale FCC(66x18)	POLYESTER SHEET
15	1	D000221924	30459116	DIO Overlay ACT350 Precision	PET
14	1	72229593		Blank Label,70x55xR2,IND331/131	POLYESTER SHEET
13	1	72229996		Label,Transparent Film,IND331/131	POLYESTER SHEET
12	1	30076667		Bottom Cover, ACT350	PC+ABS
11	8	72999902	72999902	Screw GBT818 M2.5X6-Ni.D	301 STAINLESS STEEL
10	1	30076668		DIN Lock, ACT350	PA66 CF20
9	1	D000221921	30428292	PCBAC ACT350Precision RS	ELO
8	1	30076672		Heat Sink ACT350	AL6063
7	1	30076706		Graphite Sheet ACT350	Grafoil-AP-S
6	1	D000222024	30467286	CONNECTOR TERM_SPRG_PLUG F 9P 3,50mm 180	PVC
5	1	30133673	30133673	CONNECTOR,TERM_PLUG,F,2P,5.00mm,RA	ELO
4	1	30076705		Silicone Sheet ACT350	SILICONE SHEET
3	1	D000221922	30468848	PCBAC ACT350Precision Main Board	ELO
2	1	30076666	30076666	Top Cover, ACT350	PC+ABS
1	1	D000221923	30459863	Keyboard IE(Dual) ACT350 Precision	POLYESTER SHEET

Item	Qty	Design No	Number	Description	Material
<b>METTLER TOLEDO</b> MTCZ CN-213022 ChangZhou Drawn Xu YuJun 2018/07/27 Scale 3:5 Change - Format DIN A3 Refer to protection notice ISO 16016 / Schutzvermerk ISO 16016 beachten Note - Replaces - Description 称重变送器 PRNT R35000D8000LCT0030 No 30476263 ERP No <b>WEIGH TRANSM PRNT R35000D8000LCT0030</b> Rev B Model: D000221925 Rev: B Drawing: D000221925 Rev: B Status: <b>Approved</b> Units: MM 1/2 Creo V1.0					

REV / CHG	ZONE	DESCRIPTION	BY	APPVD	AGENCY	E.R. NO.	DATE
B	/	Add warning label	Xu YJ	Bi LG	NA		18.11.21
RECORD OF CHANGES							



<b>METTLER TOLEDO</b>		Drawn	Xu YuJun	2018/07/27	Scale	1:1	
Refer to protection notice ISO 16016 / Schutzvermerk ISO 16016 beachten		Change	-	-	Format	DIN A3	
Description		Note	-			Replaces	-
<b>WEIGH TRANSM PRNT R35000D8000LCT0030</b>		No	30476263	ERP No		ERP Rev	
Model: D000221925 Rev: B		Rev	B	Status: <b>Approved</b>		Units: MM	2/2
Drawing: D000221925 Rev: B		<div style="text-align: right;">Crea V1.0</div>					