

EasyClean 200 e

Automatic Sensor Cleaning System



English: page 3

Deutsch: Seite 43

Français: page 83

EasyClean 200 e

Instruction manual

How to use this instruction manual

This instruction manual is an integral part of the EasyClean™ 200 e and contains notes and instructions that are important for safety and operation.

All persons working on or with the EasyClean 200 e must have first read and understood the sections appropriate to the work in hand.

Please read this instruction manual carefully before using the EasyClean system. Keep this document close to the unit, so operating personnel may be easily refer to it at any time.



First read Chapter 2 «Safety»!

© It is forbidden to reprint this instruction manual in whole or part.

No part of this manual may be reproduced in any form, or modified, copied or distributed using electronic systems, in particular in the form of photocopies, photographs, magnetic or other recordings, without written consent of Mettler-Toledo GmbH, Process Analytics, CH-8902 Urdorf, Switzerland.

All rights reserved, in particular reproduction, translation and patenting/registration.

EasyClean and InDip are trademarks of the METTLER TOLEDO Group.
All other trademarks are the property of their respective owners.

Contents

1	Product description	7
1.1	Introduction	7
1.2	Fittings and deliverables	7
1.3	Data and key characteristics EasyClean 200 e	8
2	Safety	10
2.1	Introduction	10
2.2	Intended use	10
2.3	Inappropriate use	10
2.4	Basic principles	11
2.5	Warning notices and symbols	11
2.6	Responsibility, organizational measures	12
2.7	Product-specific hazards	13
2.8	Residual hazards	13
2.9	Emergency measures	13
2.10	Safety measures	14
2.11	Modifications	14
3	Your device	15
3.1	Layout	15
3.2	Functions	17
3.3	Integration into a measurement system	18
4	Commissioning	19
4.1	Fitting	19
4.2	Connections	21
4.3	Commissioning procedure	28
4.4	Function test	29
4.5	Programming of control of EasyClean 200 e	30
4.5.1	User interface of the programmable control	30
4.5.2	SW parameter description	31
5	Operation	33
5.1	Checks by the operator	33
5.2	Refilling with cleaning fluid	33
5.3	Operating the EasyClean 200 e	33
5.4	Procedure in the event of a failure in the power or fuel supply	35
6	Maintenance and fault elimination	36
6.1	Maintenance	36
6.2	Fault elimination and repairs	36
7	Decommissioning, storage, disposal	39
7.1	Decommissioning	39
7.2	Storage	39
7.3	Environmental protection	39
8	Ordering information (product, spare parts, accessories)	40
8.1	Ordering information for EasyClean 200 e	40

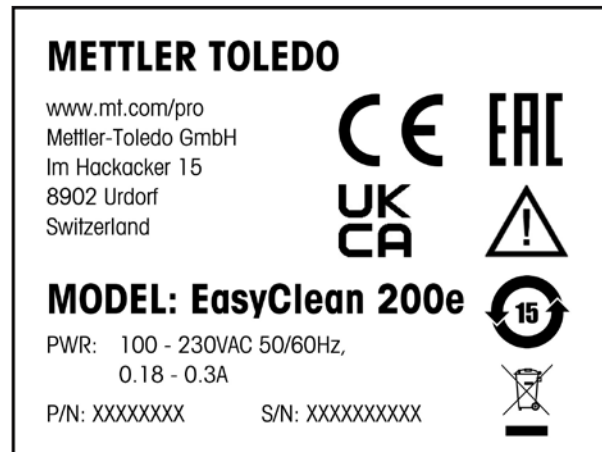
1 Product description

1.1 Introduction

Certificates

CE

Identification



1.2 Fittings and deliverables

Deliverables

EasyClean 200 e is shipped without connecting cables. At the installation site, cables are connected to the appropriate terminals in the unit (please refer to **section 4.2 "Connections"**).

Packaging

The unit is packed in plain and padded cardboard.

We recommend that you retain the packing materials for subsequent storage or transportation of the unit. Should you choose to discard the packing materials, observe local regulations and **section 7.3 "Correct disposal of the unit"**.

Good inspection

Check the goods for damage while unpacking. Should you notice signs of damage, inform the shipper and your supplier without delay.

Check the delivery against your order and the delivery note.

1.3 Data and key characteristics EasyClean 200 e

Enclosure	Stainless steel enclosure, powder-coated with polyester resin Attention: housing may not be cleaned with solvents containing acetone
Weight	Control unit approx. 3.0 kg (6.6 lb) Valve unit approx. 2.5 kg (5.5 lb)
Protection rating	IP 65
Ambient conditions	Temp. in operation: 0...+55 °C (+32...+131 °F) Temp. storage/transportation: -10...+70 °C (+14...+158 °F)
Power supply	100 ... 230 V AC, 50/60 Hz, 0.18...0.3 A (± 15 %)
System control	Process initiation: via a wash contact in the associated transmitter Sequence: controlled by the integrated programmable PLC
Control input	1 control input for wash contact in transmitter 24 V
Transmitter	METTLER TOLEDO transmitters: – M300 Process – M400 4-wire – Alternatively via any standard transmitter with wash contact and "HOLD" function
Electrical connections	Terminal strip 0.08...2.5 mm ²
Connection to valve unit	10-wire control cable, 1.5 mm ² Length: 1.5 m
Connection transmitter	4-wire control cable, 4 x 1.5 mm ² Length: 5 m
Cable ducts	∅ 3.5...10 mm → M 16 ∅ 2.5...6.5 mm → M 12
Compressed air supply	4...8 bar (400...800 kPa, 58...116 psi) – Air quality according to ISO 8573-1 – Moisture class 4 (water dew point +3 °C) – Particles class 5 (filter 40 µm) – Max. oil content class 2 (0.1 mg/m ³) Connection: thread G1/8"

Connection to retractable housing	Pneumatics:	LDPE hose \varnothing 6/4 mm (1/4" / 1/8") (control air)
	Medium:	PTFE hose \varnothing 6/4 mm (1/4" / 1/8") Hose length typ. 5 m (16.4 ft) Hose length max. 10 m (32.8 ft)
Flushing water supply	Pressure:	2...8 bar (200...800 kPa, 29...116 psi)
	Particle filter:	50 μ m
	Volume:	54 l/min
	Connection:	thread G1/4" female
	Adapter:	1/4" NPT male (PP)
Pump	Pump height:	max. 5 m (16.4 ft)
	Suction height:	max. 3 m (9.8 ft)
	Feed rate:	3...5 ml/s (depending on hose length and medium viscosity)
	Materials:	PPS (pump body) EPDM (membrane and sealings)
	Connection:	thread G1/8" female, polymer (PP)
Viscosity	All liquids 25 mPa s / 25 °C (77 °F)	
Wetted materials	Materials in contact with:	
	– Rinsing water:	PP, EPDM, PFTE, PPS, Ni
	– Compressed air:	PP, EPDM, PFTE, PPS, LDPU, Ni
	– Cleaning agents:	PP, FFKM, PTFE, EPDM, PEEK
Liquid temperatures	Water:	0...80 °C, 95 °C max. 10 min/h (32...176 °F, 203 °F max. 10 min/h)
	Cleaning agents:	0...50 °C (32...122 °F)

Subject to technical changes.

2 Safety

2.1 Introduction

This instruction manual lists the main points of how to use the EasyClean 200 e efficiently, in the intended manner. For safe, trouble-free operation, operators must be aware of these safety instructions and comply with further warning notices in the instruction manual.

This instruction manual, and the safety requirements in particular, must be observed by the operator and all other persons working with the EasyClean 200 e. Compliance with local regulations and statutory requirements is also essential.

The instruction manual must always be stored close at hand, in a place accessible to all people working with the EasyClean 200 e.

2.2 Intended use

EasyClean 200 e is intended solely for automatically controlled or manual flushing and cleaning of sensors in retractable housings, as described in this instruction manual.

Other prerequisites for appropriate use include:

- observing the instructions, notes and requirements set out in this instruction manual
- observing the prescribed inspection and maintenance intervals
- correct care and maintenance of the unit, according to the instruction manual
- observing the prescribed environmental and operational conditions, and permitted installation positions
- compliance with local statutes.

2.3 Inappropriate use

Any other use, or use not mentioned here, that is incompatible with the technical specifications is deemed inappropriate. The operator is solely responsible for any damage arising from such use.

The following are deemed particularly inappropriate:

- use of hydraulic fluid in place of compressed air
- use of suspensions as cleaning media
- use of salt acid of > 10 %.

2.4 Basic principles

The EasyClean system is a state-of-the-art construction and complies with engineering safety guidelines.

All the same, there can remain certain risks and hazards:

- if the units are operated by inadequately trained personnel.
- if the units are not used in the intended manner.
- if the units are not inspected periodically or the periodical inspection is not carried out properly.

EasyClean units must only be used while in perfect working order, for their intended purpose, with due awareness of associated safety and hazard issues and in compliance with the instruction manual.

Defects or damage that impact the unit's safety and functionality must be immediately repaired by the operator or a suitably qualified person, and reported in writing to the manufacturer.

2.5 Warning notices and symbols

This instruction manual identifies safety instructions by means of the following symbols:



DANGER!

Warns of a hazard that could lead to extensive material damage, death or grievous bodily injuries.



CAUTION

Warns of a potentially hazardous situation that could lead to minor bodily injury and / or material damage.



NOTE!

Information relating to technical requirements. Non-observance could lead to defects, inefficient operation and possible loss of production.

2.6 Responsibility, organizational measures

Operator's responsibilities

- The operator must only permit personnel to work with the EasyClean if they are acquainted with basic regulations concerning workplace safety and accident prevention, and familiar with operating the unit. This instruction manual serves as a basis.
- In addition to the instruction manual, the operator must provide instruction in general statutory and other binding regulations concerning workplace safety and accident prevention, as well as environmental protection.
- Personnel safety and hazard awareness must be monitored regularly.
- Steps must be taken to ensure that the EasyClean is operated only while in a safe, properly functional state.

Personnel responsibilities

- All persons working with the EasyClean must have read the section on safety and responsibilities the warning notices contained in this instruction manual.
- In addition to the instruction manual, generally applicable statutory and other binding regulations concerning workplace safety and accident protection must also be observed.
- Avoid any hazardous working practices that exceed the unit's intended purpose.

Personnel selection and qualification – basic responsibilities

- Only dependable, trained or supervised personnel may work with the EasyClean. Operators must read this instruction manual beforehand.
- Responsibilities for operating, maintaining, installing, etc. the unit must be clearly defined.
- Appropriate steps must be taken to ensure that the unit is used by authorized personnel only.
- Personnel under instruction, supervision or general training may only work with the unit under constant supervision by an experienced person.
- Work on electrical parts of the unit may only be performed by a qualified electrician in compliance with electrical engineering regulations.

Constructional modifications on the unit

- The unit may not be modified, extended or rebuilt in a way that impacts its safety without written permission from Mettler-Toledo GmbH, Process Analytics.
- Any parts that are not in perfect working order must be replaced without delay.

2.7 Product-specific hazards



DANGER! **Electrical hazards!**

Opening the unit for installation or repair work exposes live electrical parts.

Close the unit immediately after work is completed!



DANGER! **Compressed air/water hazards!**

Pressurized pipes (compressed air, water) must be isolated and depressurized before commencing repair work!

2.8 Residual hazards



DANGER! **Despite all precautionary measures, there remain residual hazards such as:**

- a pipe bursting
- hazards arising from a defect in a supervisory controller.

2.9 Emergency measures



DANGER!
Should fluid come into contact with the eyes, rinse thoroughly under running water for at least 15 minutes. A doctor must be consulted for subsequent diagnosis.

Fluid coming into contact with the skin must be immediately washed away with water.

Medical assistance is mandatory for symptoms that clearly arise from skin or eye contact with a medium. Inform the doctor about the type and specific identity of all materials used.

2.10 Safety measures

Always observe local statutes and regulations. They are not incorporated in this instruction manual.

Personal safety equipment like protective goggles and clothing must be worn.

The unit must only be operated while closed.

The operator is responsible for personnel instruction. By way of assistance, the instruction manual can also be ordered in other languages. Being an integral part of the unit, this instruction manual must always be available at the unit's location.

The operator should immediately inform the manufacturer about all safety-related events occurring during use of the unit.

2.11 Modifications

Modifications are permitted only after prior consultation and written approval from the manufacturer.

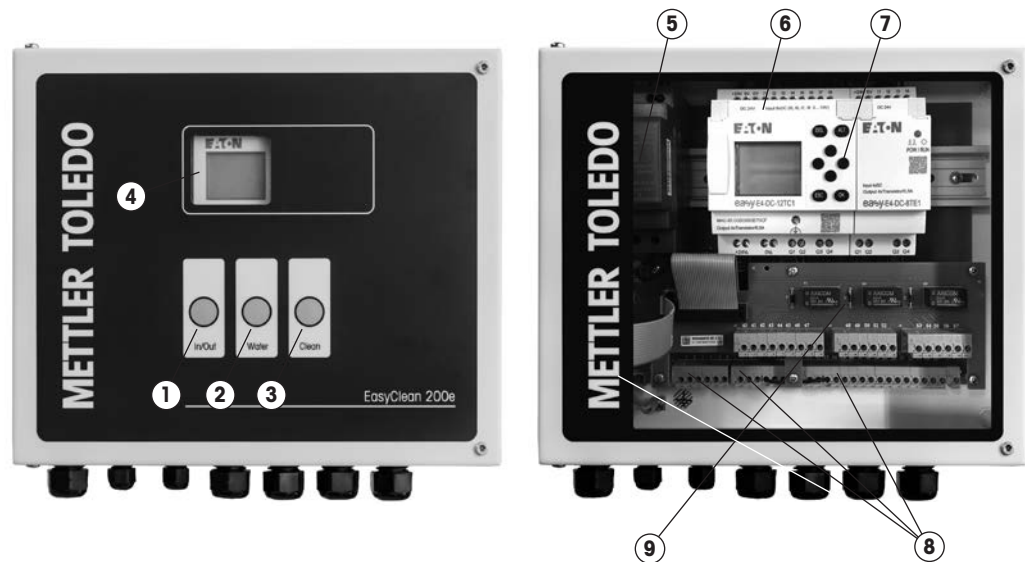
Only those parts of the unit essential to fulfilling its function may be removed and refitted. Except for authorized service personnel, it is forbidden to remove protective guards and covers using a regular tool. Touching live electrical parts represents a lethal hazard.

3 Your device

3.1 Layout

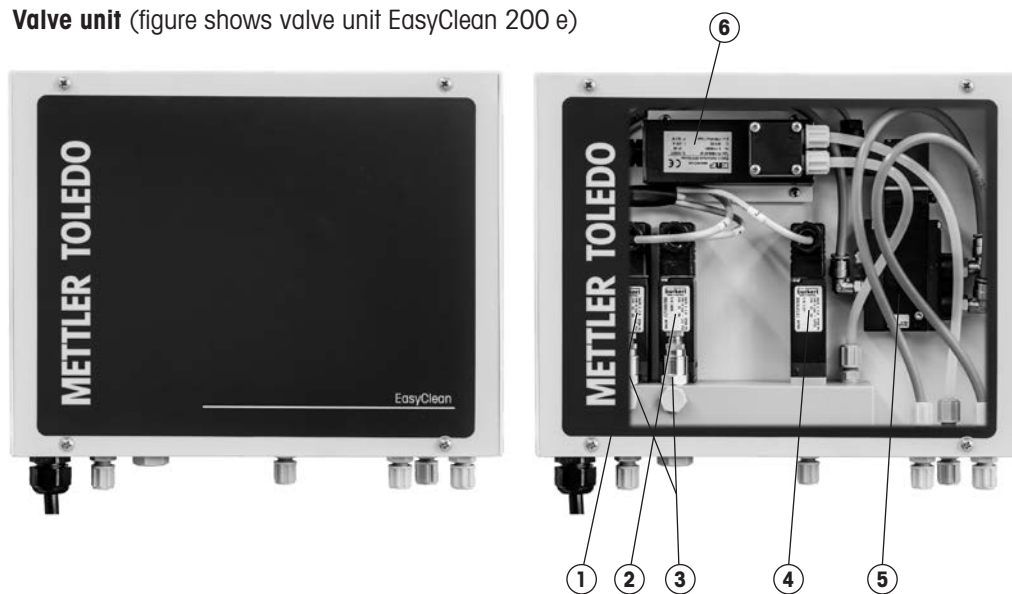
Control unit

EasyClean 200 e



- 1 "In/Out" button (housing control)
- 2 "Water" button
- 3 "Clean" button
- 4 Information display
- 5 Power supply unit

- 6 Programmable logic controller
- 7 Operating section PLC
- 8 Connection clamps
- 9 Remote PCB

Valve unit (figure shows valve unit EasyClean 200 e)

- 1 Compressed air valve
- 2 Water valve
- 3 Pressure reducing valve

- 4 Detergent valve
- 5 Housing control valve
- 6 Diaphragm pump

3.2 Functions

General

The EasyClean 200 e is designed for the automatic rinsing and cleaning of electrodes in retractable housings.

The EasyClean is supplied with a predefined rinsing and cleaning process. Both the rinsing and cleaning time can be adjusted by the operator to suit the individual local conditions.

The individual processes are instigated by switching on the washing contact on the connected transmitter.

An integrated programmable logic controller controls the whole rinsing and cleaning procedure.

Types of operation

The EasyClean has no main switch, and is always in active status.

Basic setting

When the EasyClean 200 e is switched off, the electrode is removed from the process medium.

If the EasyClean 200 e is connected to the mains, the housing and sensor move into the measuring position.

The message "RUN" appears on the display. The EasyClean is ready for operation.

"HOLD" function

The "HOLD" function is a function of the transmitter. This function suppresses the measured values of the sensor during a work cycle of the EasyClean.



NOTE!

If the transmitter is usually used with exit points, a "HOLD" function is absolutely necessary. Signals that can be measured through cleaning with acids or alkalis might otherwise activate the transmitter control.

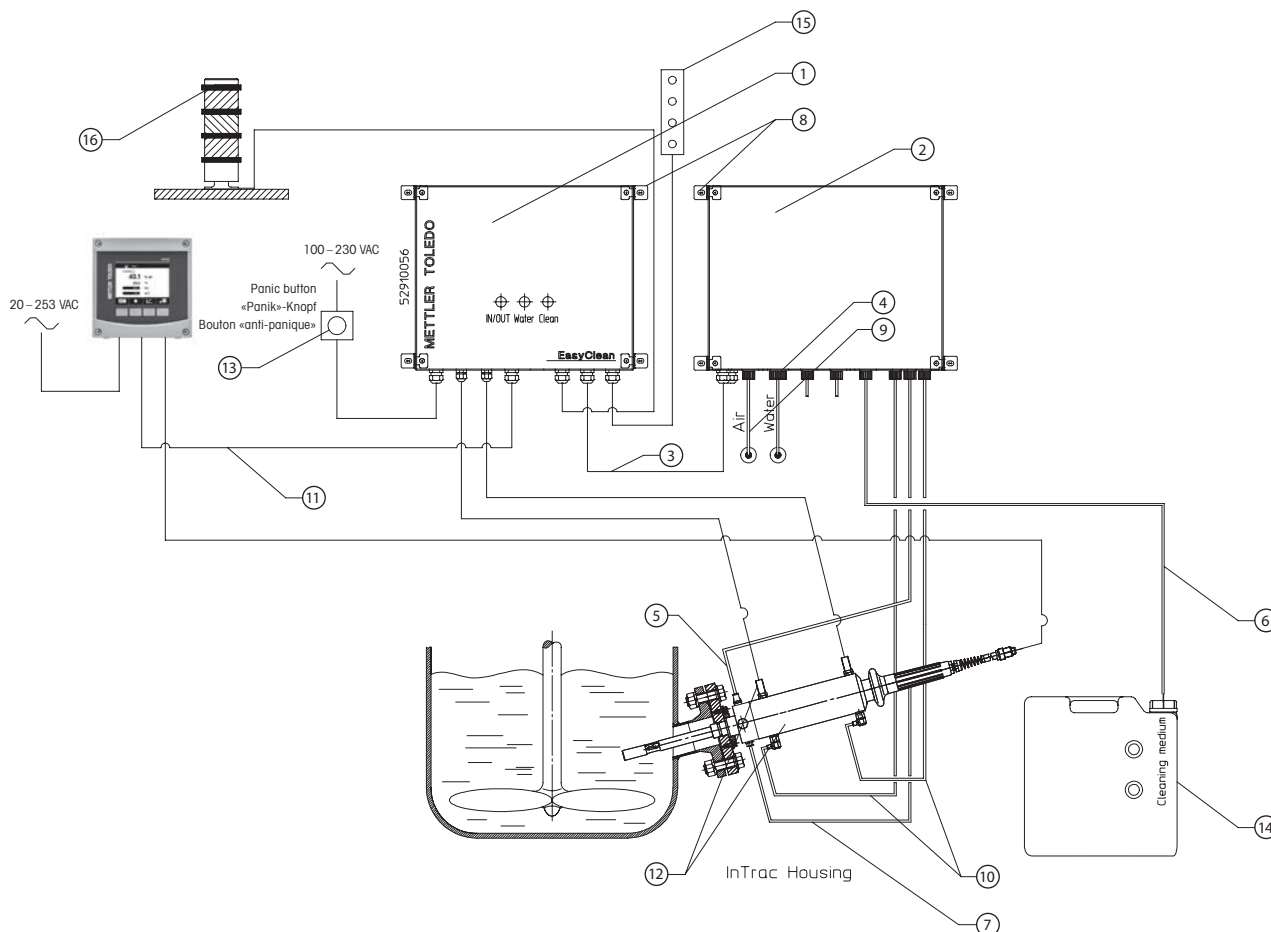
Messages

The integrated control is equipped with a display. This displays the current function status of the control.

3.3 Integration into a measurement system

The following diagram show typical examples of the integration of the EasyClean 200 e respectively into a measurement system.

EasyClean 200 e



- 1 Control unit
- 2 Valve unit
- 3 Connection cable control unit > valve unit
- 4 Water connection
- 5 Drainwater hose
- 6 Connecting hose valve unit > cleaning medium
- 7 Connecting hose valve unit > retractable housing
- 8 Wall mounting kit
- 9 Compressed air hose inlet
- 10 Compressed air hoses
- 11 Control cable transmitter > control unit
- 12 Pneumatic set retractable housing
- 13 Panic button (optional)
- 14 Canister for cleaning medium
- 15 Remote control
- 16 Alarm light

4 Commissioning



DANGER!

Please refer to section 2 "Safety".

All work on the system's electrical components may only be performed by authorized, specialist staff.

4.1 Fitting

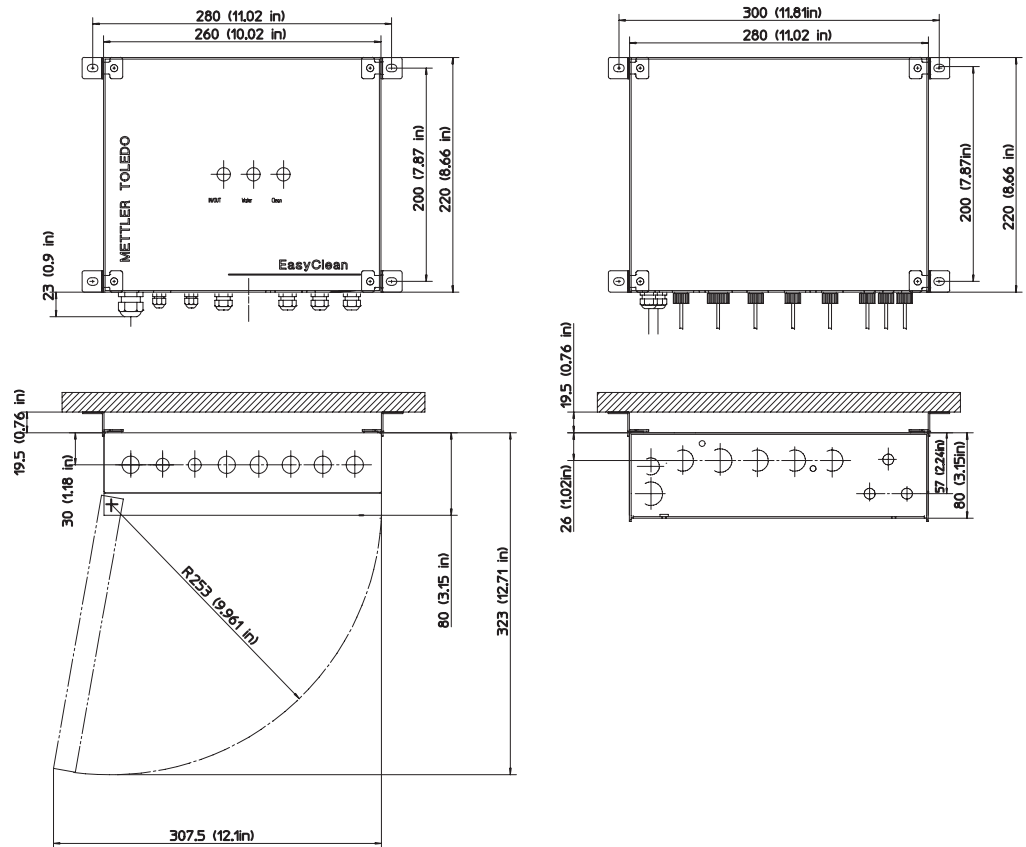
The EasyClean 200 e is designed to be fitted directly (c-rails), on to walls or posts/pipes.

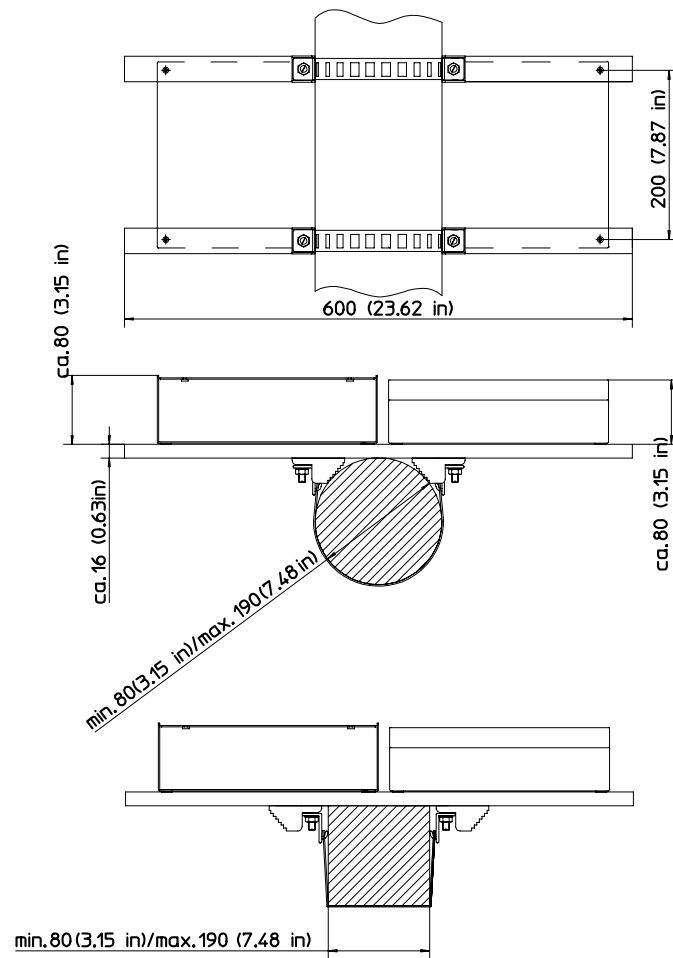
The EasyClean 200 e is built into the same type of housing and therefore have the same dimensions.

The fitting location must have sufficient stability and must as far as possible be free of vibration.

Please make sure that the lengths of the leads are as short as possible.

Wall mounting



Post/pipe mounting**NOTE!**

For the detailed procedure when fitting the suspended item, please refer to the installation manual supplied separately.

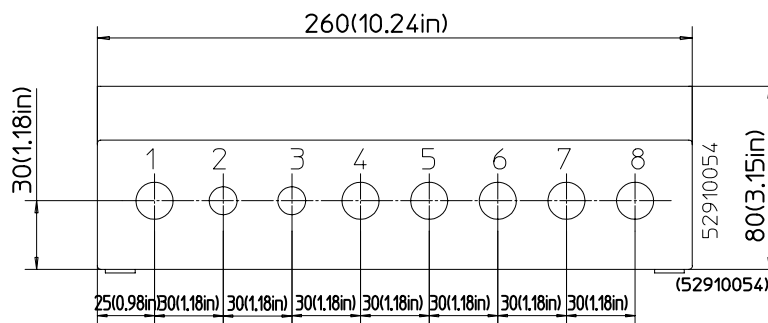
4.2 Connections



CAUTION

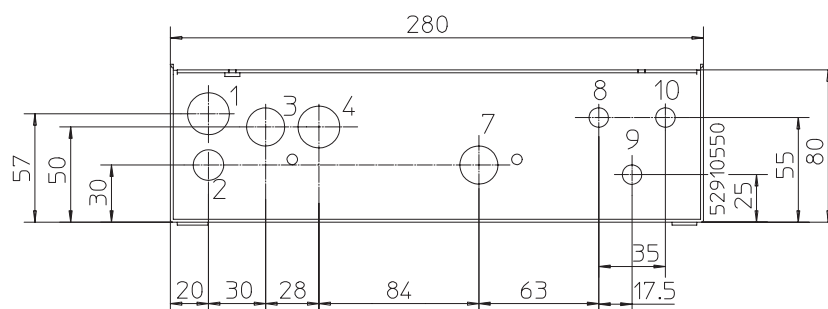
Before making connections, check that the connection values as described in section 1.3 "Data and key characteristics" are observed.

Connections to the housing floor control unit



- 1 Main cable sleeve M 16 (main cable by customer)
- 2 Check-back position indicator, housing "forward"
- 3 Check-back position indicator, housing "back"
- 4 Sleeve control cable transmitter M 16
- 5 Reserve
- 6 Sleeve alarm light M 16
- 7 Sleeve control cable valve unit M 16
- 8 Reserve

Connections to the housing floor valve unit



- 1 Control cable, control M 16 (premounted)
- 2 Flow sensor duct M 12 (optional)
- 3 Compressed air input (\varnothing 6/4 mm hose)
- 4 Water input G $\frac{1}{4}$ " female (adapter for "NPT & male")
- 6 Detergent solution input (PTFE hose, \varnothing 6/4 mm, white)
- 7 Compressed air housing "Service" output (LDPE hose, \varnothing 6/4 mm, black)
- 8 Medium output (PTFE hose, \varnothing 6/4 mm, white)
- 10 Compressed air housing "MEASURE" output (LDPE hose, \varnothing 6/4 mm, black)



NOTE!

For purposes of efficiency, a valve is installed for water and compressed air from the building close to the EasyClean 200 e. This facilitates maintenance work and increases working safety during fitting and dismantling of the device.

The compressed air feed must be at least 4 bar. The control air must be **filtered and free of water and oil.**

Please observe the local regulations for pneumatic and water installations.

Connections to the immersion housing

For the installation of the retractable housing, please refer to the corresponding instruction manual for the housing.

Electrical connections

The EasyClean 200 e is designed for the METTLER TOLEDO transmitter as described in section 1.3. For the correct installation to other transmitters, please refer to the relevant manual.

**DANGER**

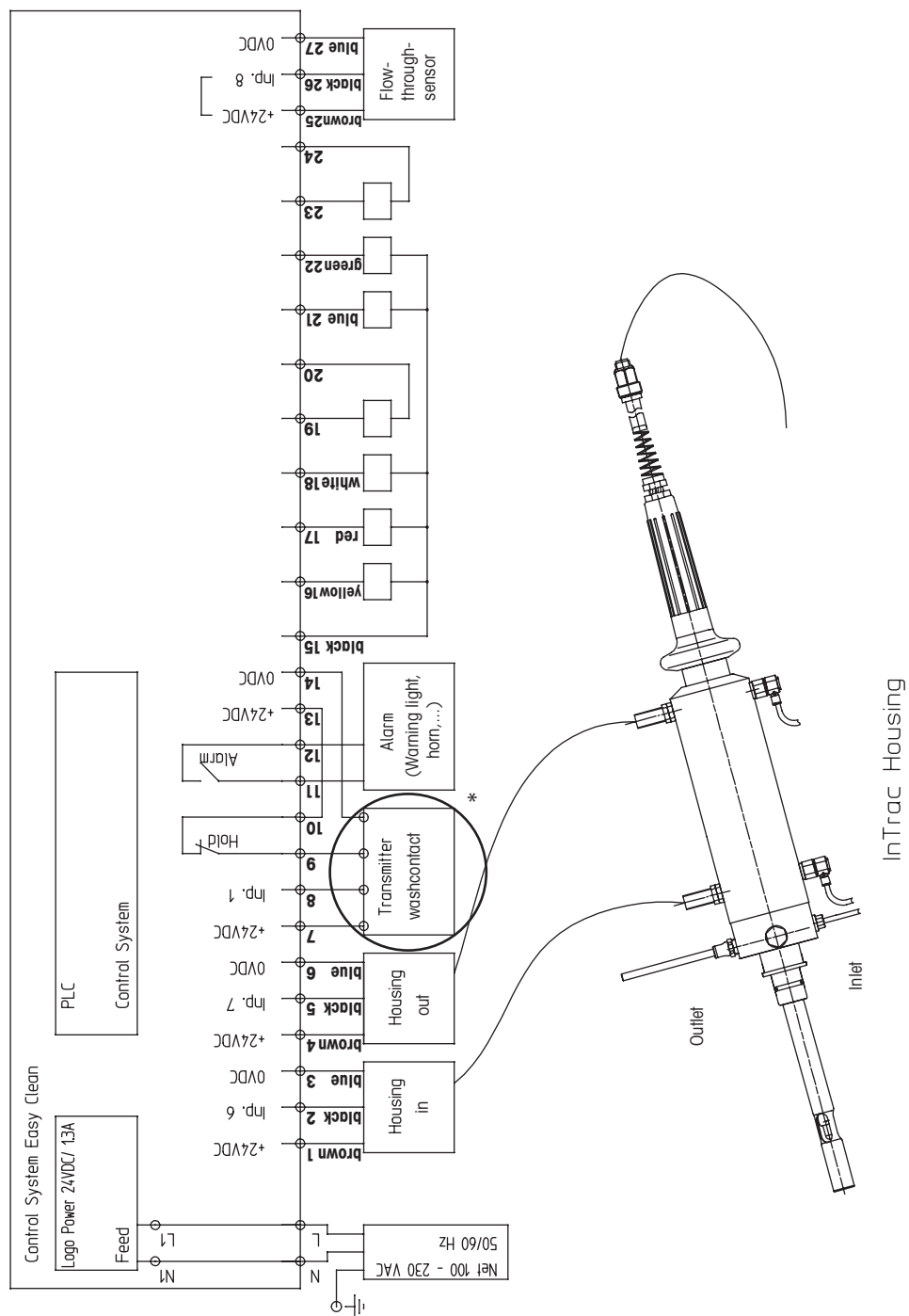
The main connection may only be performed by authorized specialist staff in accordance with electrical engineering rules.

Please also observe local regulations for the mains connection to the building.

**NOTE!**

The protective power switch has to be installed from the building installation and must be placed near the EasyClean system.

Electrical connections of EasyClean 200 e



* For the transmitter connection see the details hereafter.

Transmitter connection

Transmitter M300 G2 Process

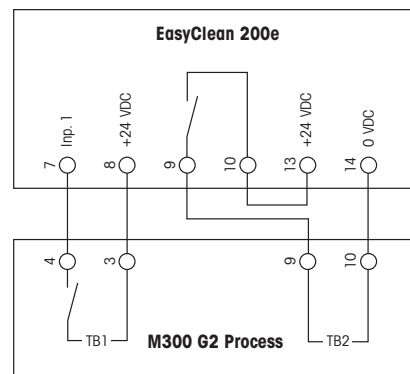


NOTE!

Bridge terminal 10 and 13 in the EasyClean 200 e.

Set relay #2 for example on the transmitter to rinse contact.

Set rinse time to 5 sec. at the transmitter M300 and define the rinse interval according to the process requirements. Furthermore define rinse time (T2) and residence time for cleaning agent (T3) on the EasyClean 200 e.



Transmitter M400 G2

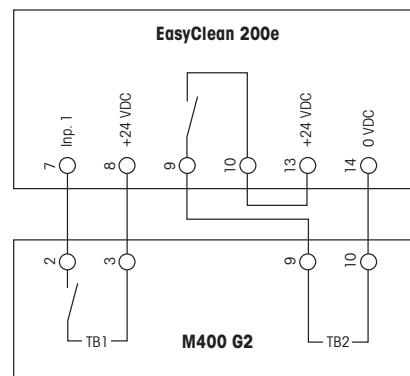


NOTE!

Bridge terminal 10 and 13 in the EasyClean 200 e.

Set relay #1 for example on the transmitter to rinse contact.

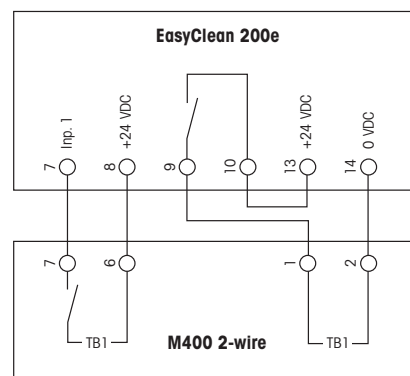
Set rinse time to 5 sec. at the transmitter M400 G2 and define the rinse interval according to the process requirements. Furthermore define rinse time (T2) and residence time for cleaning agent (T3) on the EasyClean 200 e.



Transmitter M400 2-wire

Set OC1 and Digital input 1 for example on the M400 2-wire HART transmitter to rinse contact.

Set rinse time to 5 sec. at the transmitter and define the rinse interval according to the process requirements. Furthermore define rinse time (T2) and residence time for cleaning agent (T3) on the EasyClean 200 e.



Transmitter M800



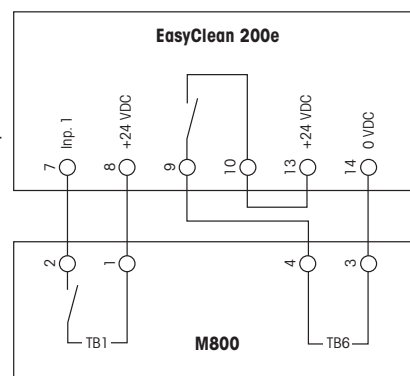
NOTE!

1 M800 1-channel Mix version, please change TB6 to TB5.

2 The M800 Profinet and Ethernet/IP don't support Cleaning function.

Set relay #2 and Digital input 1 for example on the M800 2/4-ch transmitter to rinse contact.

Set rinse time to 5 sec. at the transmitter and define the rinse interval according to the process requirements. Furthermore define rinse time (T2) and residence time for cleaning agent (T3) on the EasyClean 200 e.



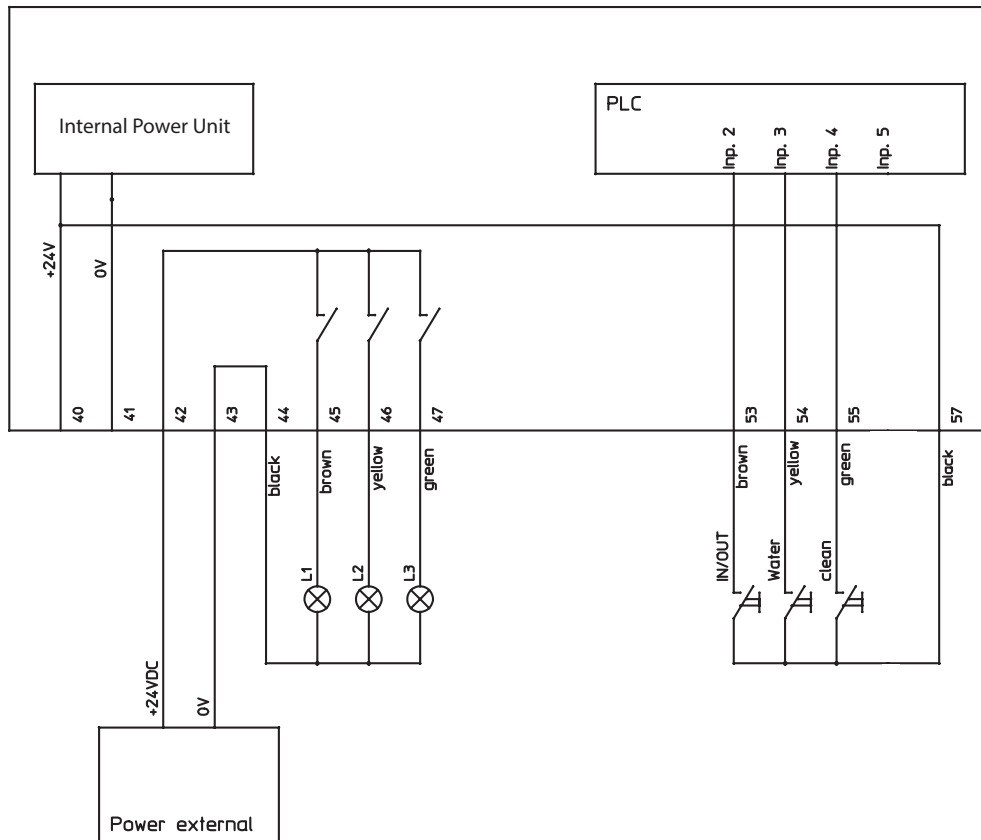
Terminal loading control PCB

Connection no.	Function	Designation	Color of cable	Connected to
1	Housing pos. indicator, forward	+24 V DC	brown	—
2	Housing pos. indicator, forward	inp. 6	black	—
3	Housing pos. indicator, forward	0 V DC	blue	—
4	Housing pos. indicator, back	+24 V DC	brown	—
5	Housing pos. indicator, back	inp. 7	black	—
6	Housing pos. indicator, back	0 V DC	blue	—
7	Washing contact transmitter	+24 V DC	—	—
8	Washing contact transmitter	inp. 1	—	—
9	Transmitter	hold	—	—
10	Transmitter	hold	—	—
11	Alarm	—	—	—
12	Alarm	alarm	—	—
13	Alarm	+24 V DC	—	—
14	Alarm	DVDC	—	—
15	Valve unit/return valve	—	black	valve R7
16	Valve unit/housing	—	yellow	valve A8
17	Valve unit/air	—	red	valve L3
18	Valve unit/water	—	white	valve W4
19	n.c.	—	—	—
20	n.c.	—	—	—
21	Valve unit/pump	—	blue	valve P9
22	Valve unit/cleaning	—	green	valve R7
23	n.c.	—	—	—
24	n.c.	—	—	—
25	Level	+24 VDC	brown	—
26	Level	inp. 8	black	—
27	Level	DVDC	blue	—
SL	Protective lead	grounding	customer	housing
N	Neutral	power supply	customer	logo power
L	Power	power supply	customer	logo power

**NOTE!**

For remote indication of EasyClean alarms (e.g. warning light, horn or other external signaling equipment) the 24 V alarm signal is available at terminals 13 and 14. Bridge over terminals 12 and 13. An alarm device can be connected between terminal 11 and 14.

Electrical connections of the remote PCB



Terminal loading of remote PCB

Connection no.	Function	Designation	Connected to
40	EasyClean 200 e feed	+24 V int.	—
41	EasyClean 200 e feed	0 V internal	—
42	Feed external	+24 V	—
43	Feed external	0 V	—
44	Triple alarm light	Common	43 (bridge)
45	Triple alarm light "operation"	L1	1 (light)
46	Triple alarm light "service"	L2	2 (light)
47	Triple alarm light "alarm"	L3	3 (light)
53	Remote control	B	—
54	Remote control	S	—
55	Remote control	R	—
56	Remote control	K	—
57	Remote control	+24 V	—



NOTE!

If an alarm lamp is to be feed by the EasyClean power bloc the terminals no. 40 and 42 must be connected to each other as well as no. 41 and 43.

4.3 Commissioning procedure

- 1 Fit the EasyClean 200 e to a wall or a pipe/post, so that the connections are facing downwards (see section 4.1 "Fitting").
- 2 Install the connections (see section 4.2 "Connections")
 - Compressed air supply
 - Rinsing water connection from the building
 - Pneumatic and rinsing connections between the EasyClean and the retractable housing (pneumatic hoses are optional accessories)
 - Connect the container for detergent
 - Signal lead to transmitter



NOTE!

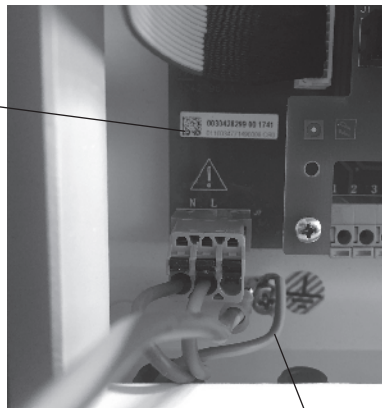
The leads are rinsed with compressed air and in the event of instability must be secured, e.g. using cable binders.

- 3 Check before commissioning:
 - Are compressed air, rinsing water and waste water correctly connected?
 - Are the retractable housing and transmitter installed and connected in accordance with the relevant instruction manual?
 - Are all unused screw threads sealed with rubber stoppers?
 - Has the container been filled with detergent solution?
 - Have all hose connections been put carefully into place?
- 4 First commissioning

Once the transmitter, water, compressed air and detergent solution have been correctly connected, the EasyClean can be connected to the mains.

Connect the main cable:

Terminal for
N and L wires



When connecting the grounding wire use the supplied blade terminals. Crimp the terminals from both sides.

When the EasyClean is connected to the mains, the housing and the sensor move into the process "measuring position".

4.4 Function test



NOTE!

In de-energized state the sensor moves out of the process.

The **rinsing, cleaning**, as well as the **monitoring sensor functions**, can be tested without the transmitter.

If the processes are in order as described in section 5.3, the system is ready for operation. In the event of operational faults, consult section 6.2 "Corrective action".

Testing the response of the housing

- 1 For the test, separate all response cables from the connection terminals.
Nos. 1, 2, 3 (forward)
Nos. 4, 5, 6 (back)
- 2 Approx. 12 seconds after separation of the position indicators, an alarm message appears in the display: **"Armatür, Housing, Armature"**.
- 3 When this message has appeared, the cables can once more be fitted to the relevant terminal position.

Testing the "Flow sensor" option (only if present)

- 1 For the test, separate all connections from the connection terminals.
Nos. 25, 26, 27 (level)
- 2 Start a manual rinsing procedure by pressing the **"Water"** key.
- 3 After 12 seconds the message **"Füllstand, Check Levels, Niveau"** appears on the control display.
 - The "Füllstand, Check Levels, Niveau" message can be reset by simultaneously pressing the "In/Out" and "Water" keys.



NOTE!

All processes can be interrupted by means of Reset (simultaneously pressing the **"In/Out"** and **"Water"** keys). After reset the EasyClean performs a rinse cycle. Finally, the housing always moves into the "SERVICE" position.



NOTE!

During the function test, check that all hose connections are sealed and securely attached.

You can check that the housing is working by pressing the **"In/Out"** key.

Check the rinsing and cleaning processes in the program sequence by pressing the relevant button (**"Water"** or **"Clean"**).

4.5 Programming of control of EasyClean 200 e

4.5.1 User interface of the programmable control



DANGER

To access the control user interface, the housing top plate must be opened.

The housing top plate may only be opened by authorized, trained specialist staff.

Key functions



"DEL" No function in normal status

"Alt" No function in normal status

"OK" Change to next menu level
Call up menu item
Save entries

"ESC" Change to previous menu level

"▲" or "▼" Select and change menu items or set values

"◀", "▶" Change figures

Call up menu / menu items

Press **"OK"**. Current selection flashes in the information display.

STOP menu item

STOP ✓ RUN
PARAMETERS
SET CLOCK
CARD

STOP displayed

The programmable control is ready for operation.
The program is active.

RUN displayed

The programmable control is inactive.
No process can be controlled.

PARAMETERS menu item

STOP ✓ RUN
PARAMETERS
SET CLOCK
CARD

In this submenu it is possible to adjust the rinsing and cleaning times. Using the **"▲"** or **"▼"** key (center) it is possible to locate and set the times for rinsing and cleaning.

T1 = HOLD extension C3 = Transport time cleaning medium

T2 = Rinse time water C5 = Transport time "Intermediate"

T3 = Residence time cleaning medium

Only these five parameters can be modified.

SET CLOCK menu item

STOP ✓ RUN
PARAMETERS
SET CLOCK
CARD

Under this menu item you can set the current time.

The time set here has no effect on the function of the EasyClean.

4.5.2 SW parameter description

Adjustable parameters EasyClean 200 e

Factory settings for a general installation. To optimize running time, cleaning agent consumption, and cleaning effect, adjust the variables accordingly. Only the five variables listed below can be modified. The rest of the program is unchangeable.

Designation	Var.	Description	Default	Range
HOLD extension	T1	Delay time until transmitter recommends with transmission of values after a program/cycle has been completed. This delay ensures that the electrode signal, and therefore the first measurement value is stable after hold function has been deactivated.	20 sec	0...2 min
Rinse time	T2	Duration of rinsing out of the flushing chamber with water. Can be activated by pressing the function "water" and will be automatically activated before "Clean". Ensures thorough rinsing of the flushing chamber.	1 min	0...2 min
Residence time cleaning agent	T3	Residence/action time for cleaning agent in order to obtain an optimal cleaning result.	1 min	0...5 min
Transport time cleaning agent	C3	Transport time for cleaning agent. This parameter depends on the tube length from the valve unit to the housing as well as on the housing itself (capacity of the flushing chamber).	30 sec.	10...60 sec.
Transport time Intermediate cycle (alternating air and water)	C5	Automatic intermediate rinse/purge air cycle to rinse out the flushing chamber, and before moving to service position. Depends on tube length.	4 sec.	4...8 sec.

1**Calculation:**

$$T = \frac{(\text{Tube length [m]} \times 12.5^* + \text{flushing chamber capacity [ml]}) \times \text{fix, tube capacity per m}}{4 \text{ [ml/s]}}$$

Example:

$$T = \frac{(5 \times 12.5 + 30)}{4} = 23 \text{ s, C3 and C4 have to have at least this value.}$$

Viscosity and tube length influence the delivery rate of the pump. The maximum delivery rate of the diaphragm pump used is 5 ml/s. Viscosities above 25 Pa s and tube lengths greater than 10 m (32.8 ft) can reduce the rate to 3 ml/s. We calculate with an average of 4 ml/s. To ensure complete filling of the flushing chamber, check the outflow of the chamber (dismount drain water hose), and check the outflow of cleaning agent after delivery. If necessary readjust parameter C3.

Flushing chamber capacity overview:

Type	Capacity
InTrac 7XX single chamber	20 ml
InTrac 7XX double chamber	50 ml
InTrac 798 e	70 ml

2 Table for tube length and appropriate transport time:

Tube length	C5
1...5 m (3...17 ft)	4 sec.
5...8 m (17...26 ft)	6 sec.
8...10 m (26...33 ft)	8 sec.

Program sequence

The EasyClean is supplied with standard program sequences. Between the individual functions and always at the end of a process, the whole system is rinsed with water and air.

The standard settings result in the following program cycle times:

Cleaning: approx. 5 minutes

5 Operation

5.1 Checks by the operator

When switching the device on, every day and when a new shift starts, check whether the supply of: **compressed air, rinsing water** and **electrical power** is guaranteed, that the **containers are full of cleaning solution**.



CAUTION

The retractable housing **may only be moved into the measuring position when the electrode has been installed**, as otherwise process medium might leak from the retractable housing.

5.2 Refilling with cleaning fluid



CAUTION

Wear the prescribed protective clothing (protective glasses, gloves, etc.).

The flow meter (optional accessory) indicates whether a liquid is being delivered. If no liquid can be detected during a delivery process, the EasyClean generates a "Level" alarm. In this event the following possibilities arise:

- no water flow
- detergent cannot be drawn in (the container must not necessarily be empty – see section 6.2 "Corrective action").

5.3 Operating the EasyClean 200 e



NOTE!

In the "SERVICE" position the "HOLD" contact in the EasyClean is always closed.



CAUTION

Do not remove the sensor from the retractable housing unless the "SERVICE" message appears in the display of the PLC. Additionally check the position of the housing visually.



NOTE!

During a process, signals from the transmitter are ignored.

Signals emitted during a process are not stored.

Only one process may be performed at a time.

The position of the housing before a process is identical to its position after a process.

This cycle runs for as long as the button is pressed down. No timer is activated.

Description of keys

Key	Function/process	Message/display on the prog. control display	Comments
"In/Out"	Key to switch from the service to the measuring position.	Run (Measure) or Service	When the housing moves into the measuring position, the "HOLD" contact of the transmitter is lifted after 12 seconds. The sensor is rinsed with air and water (25 sec.).
Press "In/Out" and "WATER" simultaneously	Reset or interrupt cycles in progress. Transmitter goes into "HOLD" mode. Brief rinsing with water and air (25 sec.). End of process.	Rinsing H2O Run or Service	The housing remains in the service position. Depending on housing position.
"WATER"	The housing moves into the service position. Transmitter goes into "HOLD" mode. Rinsing. End of process.	Rinsing H2O	
"Clean"	The housing moves into the service position. Transmitter goes into "HOLD" mode. Rinsing. Cleaning. Rinsing. End of process.	Rinsing H2O Cleaning Rinsing H2O	

5.4 Procedure in the event of a failure in the power or fuel supply

Failure of compressed air Measuring position

- If the housing is in the "MEASURE" position, the sensor can be moved by process pressure in the direction of the "SERVICE" position.
- As soon as the check-back position indicator can no longer detect the end position, after 12 seconds an alarm is generated.
- The transmitter goes on "HOLD".

Service position

- A loss of compressed air has no direct effect in the "SERVICE" position.
- As soon as the EasyClean attempts to move the housing into the "MEASURE" position, the check-back position indicators indicate an error and after 12 seconds they generate an alarm.
- The transmitter remains on "HOLD".

Failure of power supply

- The housing moves out of the process and the transmitter goes on "HOLD".
- As soon as power is once more available, the housing always moves into the measuring position ("RUN" appears on the display) and the transmitter moves to "MEASURE".

No water or detergent

- Not detectable without flow sensor (optional accessory)
- As an option the EasyClean generates an alarm if no liquid can be detected after 12 seconds.
- This message remains until the EasyClean is reset (press "In/Out" and "Water" buttons simultaneously). At the end of the process the housing is in the starting position.
- A relevant measurement is continued.

6 Maintenance and fault elimination

If you have any questions about faults or repairs, please contact your local METTLER TOLEDO customer service. The addresses may be found at the end of this instruction manual.

6.1 Maintenance

The EasyClean 200 e is service reduced, but not maintenance-free.

To remove dust, dirt and stains, the external surfaces of the device can be wiped with a soft, damp cloth. If necessary a mild detergent can also be used.



CAUTION

The housing may **not be cleaned with any solvent containing acetone.**

For further cleaning (e.g. blowing out the housing), you may use filtered compressed air that is free of oil and water (pressure < 6 bar).



CAUTION

The inside of the housing may **not be cleaned using a liquid or a damp cloth.**



CAUTION

When cleaning the pump piston and the cylinder, please take care that the surfaces do not become scratched or damaged.

6.2 Fault elimination and repairs



DANGER

Please refer to section 2 "Safety"!

Repair work may only be performed by specialists. Before the device is opened, it must be disconnected from the power supply!

Failure	Cause	Remedy
Electrode does not move out of the process, InTrac housing does not move	Compressed air not switched on.	Switch on compressed air.
	Air pressure is too low.	Increase pressure.
	Control air valve jams.	Clean, poss. replace valve.
	Air hoses incorrectly fitted or defective.	Check hoses for leaks, bends or any kinks.
	The valve is not receiving any power.	Check the wiring as described in section 4.2 "Connections" (EasyClean terminal 16, brown).
	Poor contact in control valve plug.	Check plug A8.

Failure	Cause	Remedy
Electrode does not move out of the process, InTrac housing does not move	<p>The housing does not reach the required end position (housing jams).</p> <p>The transmitter goes on "HOLD" and no further processes are performed.</p> <p>Programmable control fault function.</p>	<p>Check position indicator, control pressure and power supply.</p> <p>Note: If the cause is rectified, the command started is completed.</p> <p>Check programmable control.</p>
Insufficient rinsing of the electrode	<p>Insufficient water flow.</p> <p>Rinse interval too long and/or rinse times too short.</p> <p>Rinsing chamber blocked.</p> <p>Water valve jammed in the valve unit.</p>	<p>Increase water flow (2...4 bar) or clean the pipe.</p> <p>Shorten the interval on the transmitter, increase rinse times on the EasyClean.</p> <p>Take out the electrode and housing and clean the rinsing chamber.</p> <p>Clean, poss. replace valve.</p>
Automatic cleaning does not start	<p>The cleaning start signal from the transmitter is not recognized by the device.</p> <p>Wash contact not activated on the transmitter.</p>	<p>Check the wiring with reference to section 4.2 "Connections".</p> <p>Activate the wash contact as described in the instruction manual of the transmitter.</p>
The keys are not active	<p>Process performed by EasyClean.</p> <p>No power to the EasyClean.</p> <p>Poor contact connection to the keys.</p>	<p>Wait until message "RUN" or "SERVICE" appears in the display.</p> <p>Check power supply.</p> <p>Check contacts to the keys, see section 4.2.</p>
The pipes are not rinsed with air	<p>Compressed air not switched on. Air pressure is too low.</p> <p>Air valve L3 jammed. Air hoses incorrectly fitted or defective.</p> <p>The air control valve is not receiving any power.</p>	<p>Switch on compressed air. Increase pressure up to 4... 6 bar.</p> <p>Clean or replace valve. Check hoses for leaks. Avoid pinching/distortion of the tubing.</p> <p>Check the wiring as described in section 4.2 "Connections" (control unit wiring 17, red).</p>
The diaphragm pump does not start	<p>The diaphragm pump is not receiving any power.</p> <p>The pump is defective.</p>	<p>Check the wiring as described in section 4.2 "Connections" (control unit wiring 21, blue). Replace pump.</p>

Failure	Cause	Remedy
The diaphragm pump is delivering little or no liquid	<p>Membrane or internal membrane of check valve is fouled or defective.</p> <p>Valves of cleaning medium are not supplied with power.</p> <p>Valves of cleaning medium are blocked.</p> <p>Valves of cleaning medium are defective.</p> <p>Medium tubing defective or blocked.</p>	<p>Remove membrane head, clean or replace membranes, see section 8.2.</p> <p>Check the wiring as described in section 4.2 "Connections"</p> <p>Remove valve and clean, possibly replace.</p> <p>Replace.</p> <p>Check hoses for leaks.</p> <p>Avoid pinching/distortion of tubing.</p>
Transmitter does not go into "HOLD" mode	<p>Terminal contact dry.</p> <p>"HOLD" or "CONTROL" signal does not trigger.</p>	<p>Check the wiring as described in section 4.2 "Connections".</p> <p>Check the wiring on the transmitter.</p> <p>Check whether green LED on auxiliary print in control unit lights up for 5 sec – Pause – 2 sec on changeover from "RUN" to "SERVICE". Possibly replace the print.</p>
Inductive check-back position indicator not recognized by EasyClean	<p>Inductive check-back position indicator defective.</p> <p>Terminal contact dry.</p>	<p>Replace inductive check-back position indicator.</p> <p>Check the wiring as described in section 4.2. Check cable.</p>
Screen is blank	<p>LCD screen defective.</p> <p>Power supply interrupted.</p>	<p>Replace the print unit with the PLC.</p> <p>Check the power supply.</p>
Alarm message "Check Levels" appears on the display	<p>The flow sensor cannot identify any media flow during a rinsing and/or cleaning cycle.</p> <p>Terminal contact dry.</p>	<p>Check flow sensor.</p> <p>Check water or detergent valve.</p> <p>Check pipe.</p> <p>Check the wiring as described in section 4.2. Check cable.</p>

Error messages (ERROR) on the programmable control

Error message	Cause	Remedy
TEST EEPROM TEST DISPLAY TEST CLOCK	Self-test interrupted	Replace the print unit with the PLC.
ERROR 12C	Control defective	Replace the print unit with the PLC.
ERROR: EEPROM	Control circuit diagram storage is defective	Replace the print unit with the PLC.
ERROR : CLOCK	Clock error	Replace the print unit with the PLC.
ERROR: LCD	LCD defective	Replace the print unit with the PLC.
ERROR: ACLOW	Control defective	Replace the print unit with the PLC.

7 **Decommissioning, storage, disposal**



DANGER

Please refer to section 2 "Safety".

Decommissioning may only be performed by trained staff or specialists.

7.1 **Decommissioning**

Procedure

- 1 Switch off the power supply, the compressed air supply and the water supply to the device.
- 2 Disconnect the device from the main switch.
- 3 Disconnect any signal leads used.
- 4 Disconnect leads for compressed air.
- 5 Remove the EasyClean from its mounting.
- 6 Rinse the hoses and valves with fresh water.
- 7 Clean the device with a damp cloth.
- 8 Allow the device to dry.

7.2 **Storage**

Store the EasyClean in a dry place, as described in section 1.3.

7.3 **Environmental protection**



Waste electrical products should not be disposed of with household waste. Please recycle where facilities exist. Check with your Local Authority or retailer for recycling advice.

8 Ordering information (product, spare parts, accessories)

When ordering spare parts, please state the following details:

- article number of the device
- serial number of the device
- ordering number from the following list of spare parts
- quantity required.

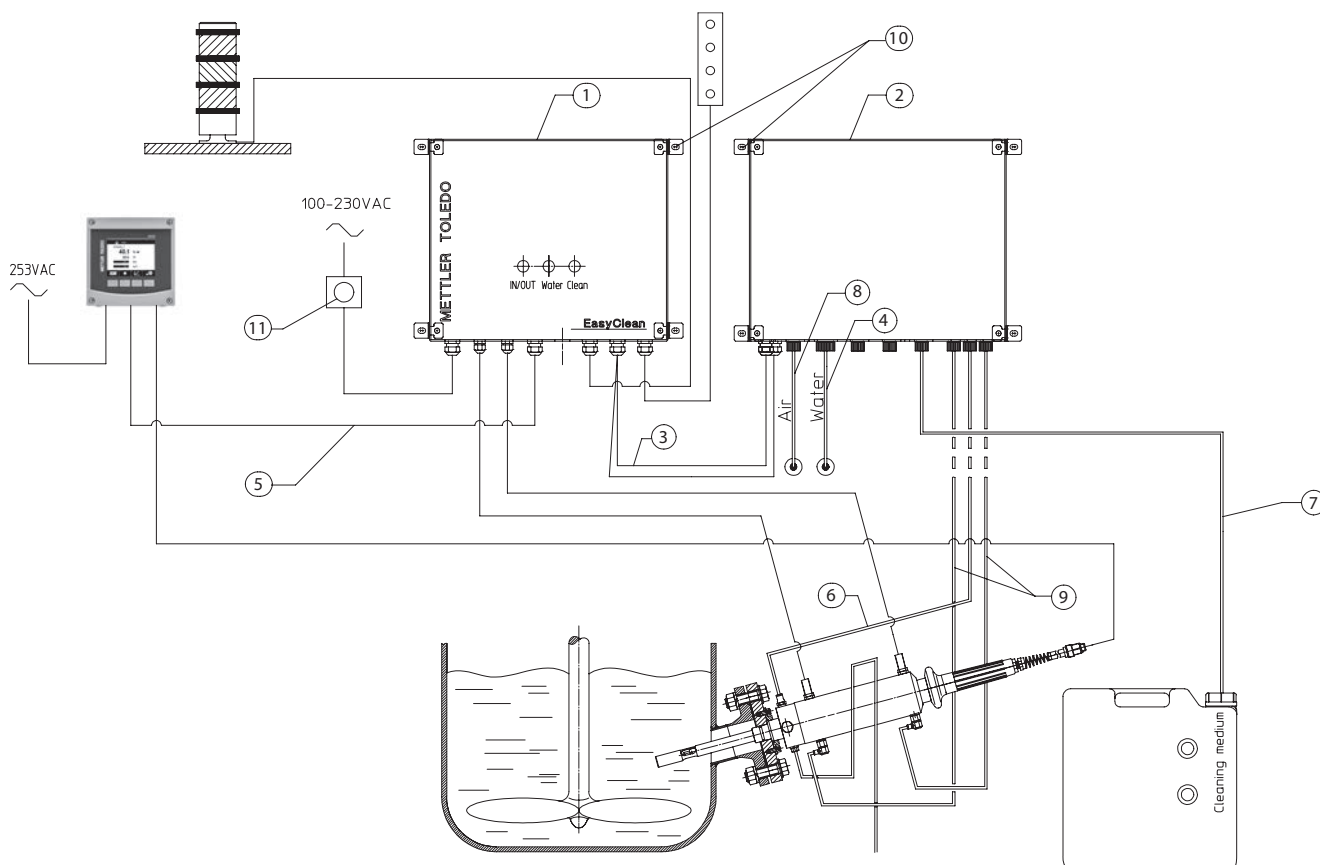
The addresses of manufacturers and customer service may be found at the end of this instruction manual.



NOTE!

Spare parts must correspond to the technical requirements of the manufacturer of the device!
Only use original spare parts.

8.1 Ordering information for EasyClean 200 e



Valve unit**The EasyClean 200 e delivery consists of the following:**

Pos.	Art. no.	Description
1	52 403 776	EasyClean 200 e control unit with PLC (programmable logic controller)
2		Valve assembly with valves for hydraulics and control air
3		Connecting cable: control unit → valve assembly (1.5 m / 5 ft)
4		Water connection: G $\frac{1}{4}$ " female or $\frac{1}{4}$ " NPT male
5		Connecting cable: control unit → transmitter (5 m / 16.4 ft)
6/7		Tubing \varnothing 6/4 mm, length 10 m (32.8 ft), material PTFE
8/9		Tubing \varnothing 6/4 mm, length 10 m (32.8 ft), material LDPE

Optional accessories

Pos.	Art. no.	Description
5	52 300 265	Connecting cable: control unit → transmitter (5 m / 16.4 ft)
5	52 300 266	Connecting cable: control unit → transmitter (10 m / 32.8 ft)
6/7	52 402 283	Tubing PTFE \varnothing 6/4 mm, 5 m (16.4 ft)
8/9	52 402 314	Tubing LDPE for compressed air connection, 20 m (65.6 ft)
10	52 402 306	Wall mounting kit, complete
11	52 402 317	Panic button (emergency shutdown)

Spare parts

Pos.	Art. no.	Description
12	30 414 592	Air control valve for EasyClean 200 e
13	30 414 593	Water and air valve for EasyClean 200 e
14	30 414 594	Cleaning medium valve for EasyClean 200 e
15	30 414 595	Diaphragm pump for EasyClean 200 e

EasyClean 200 e

Bedienungsanleitung

Verwendung dieser Betriebsanleitung

Diese Betriebsanleitung ist integrierender Bestandteil von EasyClean™ 200 e und enthält wichtige Hinweise und Instruktionen für Sicherheit und Betrieb.

Alle Personen, die an und mit EasyClean 200 e Arbeiten ausführen, müssen vorgängig die für ihre Tätigkeit relevanten Kapitel gelesen und verstanden haben.

Lesen Sie diese Betriebsanleitung vor Gebrauch des EasyClean-Systems sorgfältig durch. Bewahren Sie dieses Dokument in unmittelbarer Umgebung des Gerätes auf, um ein späteres Nachschlagen durch das Bedienungspersonal jederzeit zu ermöglichen.



Lesen Sie zuerst das Kapitel 2 «Sicherheit»!

© Die Vervielfältigung dieser Bedienungsanleitung als Ganzes oder teilweise ist strengstens untersagt. Ohne ausdrückliche schriftliche Genehmigung von Mettler-Toledo GmbH, Process Analytics, CH-8902 Urdorf, Schweiz, dürfen Teile dieses Handbuchs unter Verwendung elektronischer Systeme weder verändert, vervielfältigt noch verbreitet werden. Dies gilt vor allem für Fotokopien, Fotografien, Magnetträger oder andere Aufzeichnungen.

Alle Rechte vorbehalten, insbesondere Reproduktion, Übersetzung und Patentanmeldung/Registrierung.

EasyClean and InDip sind Markenzeichen des METTLER TOLEDO Konzerns.
Alle anderen Markenzeichen sind Eigentum ihrer jeweiligen Inhaber.

Inhaltsverzeichnis

1	Produktbeschreibung	47
1.1	Einleitung	47
1.2	Ausstattung und Lieferumfang	47
1.3	Daten und Kenngrößen EasyClean 200 e	48
2	Sicherheit	50
2.1	Einleitung	50
2.2	Bestimmungsgemässe Verwendung	50
2.3	Nicht bestimmungsgemässe Verwendung	50
2.4	Grundsätze	51
2.5	Warnhinweise und Symbole	51
2.6	Verantwortlichkeiten, organisatorische Massnahmen	52
2.7	Produktspezifische Gefahren	53
2.8	Restgefahren	53
2.9	Massnahmen im Notfall	53
2.10	Sicherheitsmassnahmen	54
2.11	Modifikationen	54
3	Ihr Gerät	55
3.1	Aufbau	55
3.2	Funktionen	57
3.3	Integration in ein Messsystem	58
4	Inbetriebnahme	59
4.1	Montage	59
4.2	Anschlüsse	61
4.3	Inbetriebnahme	68
4.4	Funktionstest	69
4.5	Einstellungen Steuerung EasyClean 200 e	70
4.5.1	Bedienoberfläche SPS	70
4.5.2	Parameterbeschreibung	71
5	Bedienung	73
5.1	Kontrollen durch den Bediener	73
5.2	Nachfüllen von Reinigungsflüssigkeit	73
5.3	Bedienung EasyClean 200 e	73
5.4	Verhalten bei Ausfall der Spannungs- oder Betriebsmittelversorgung	75
6	Wartung und Störungsbehebung	76
6.1	Wartung	76
6.2	Störungsbehebung und Instandsetzung	76
7	Ausserbetriebsetzung, Lagerung, Entsorgung	79
7.1	Ausserbetriebsetzung	79
7.2	Lagerung	79
7.3	Umweltschutz	79
8	Bestellinformation (Produkt, Ersatzteile und Zubehör)	80
8.1	Bestellinformation für EasyClean 200 e	80

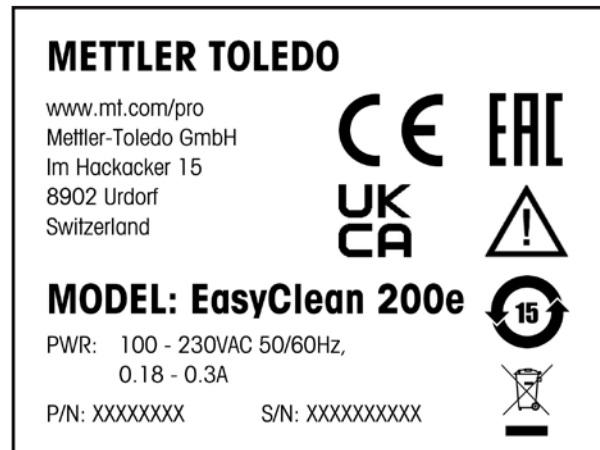
1 Produktbeschreibung

1.1 Einleitung

Zertifikate

CE

Kennzeichnung



1.2 Ausstattung und Lieferumfang

Lieferumfang

EasyClean-Greäte werden ohne Anschlusskabel geliefert. Die bauseitigen Anschlusskabel werden an den dafür bestimmten Klemmen im Gerät angeschlossen (beachten Sie dazu **Abschnitt 4.2 «Anschlüsse»**).

Verpackung

Die Verpackung besteht aus Karton und Kartonpolsterung.

Bewahren Sie die Verpackung, für eine spätere Lagerung oder einen Transport des Geräts, auf. Falls Sie die Verpackung jedoch entsorgen wollen, beachten Sie die lokalen Vorschriften sowie **Abschnitt 7.3 «Vorschriftsmäßige Entsorgung des Geräts»**.

Kontrolle der Lieferung

Achten Sie beim Auspacken auf Beschädigungen. Falls Sie solche feststellen, melden Sie dies umgehend dem Transporteur und ihrem Lieferanten.

Überprüfen Sie die Lieferung anhand Ihrer Bestellung und der Lieferpapiere.

1.3 Daten und Kenngrößen EasyClean 200 e

Gehäuse	Edelstahlgehäuse, pulverbeschichtet mit Polyesterharz Achtung: darf nicht mit azetonhaltigen Lösungsmitteln gereinigt werden	
Gewicht Steuergerät	Steuergerät: Ventileinheit:	ca. 3.0 kg (6.6 lb) ca. 2.5 kg (5.5 lb)
Schutzart	IP 65	
Umgebungsbedingungen	Temp. Betrieb: Temp. Transport/Lagerung:	0...+55 °C -10...+70 °C
Spannungsversorgung	100...230 V AC, 50/60 Hz, 0.18...0.3 A (± 15%)	
Systemsteuerung	Prozessauslösung: durch einen Waschkontakt des angeschlossenen Transmitters Ablauf: durch die integrierte programmierbare SPS-Steuerung	
Steuereingänge	1 Steuereingang für Waschkontakt vom Transmitter, 24 V	
Transmitter	METTLER TOLEDO Transmitter – M300 Prozess – M400 4-wire – alternativ durch Transmitter mit Waschkontakt und «HOLD»-Funktion	
Anschlüsse	Anschlussklemmen 0.08...2.5 mm ²	
Verbindung zur Ventileinheit	10-adriges Steuerkabel, 1.5 mm ² Länge: 1.5 m	
Verbindung zum Transmitter	4-adriges Steuerkabel, 4 × 1.5 mm ² Länge: 5 m	
Kabeldurchführungen	Ø 3.5...10 mm ➔ M 16 Ø 2.5...6.5 mm ➔ M 12	
Druckluftversorgung	4...8 bar (400...800 kPa, 58...116 psi) – Luftqualität gemäss ISO 8573-1 – Luftfeuchte Klasse 4 (Wassertaupunkt +3 °C) – Feststoffe Klasse 5 (Filter 40 µm) – max. Ölgehalt Klasse 2 (0.1 mg/m ³) Anschluss: Gewinde G1/8"	

Verbindung zur Wechselarmatur	Pneumatik:	Schlauch LDPE Ø 6/4 mm (1/4" / 1/8") (Steuerluft)
	Medium:	Schlauch PTFE Ø 6/4 mm (1/4" / 1/8") Schlauchlänge typ. 5 m Schlauchlänge max. 10 m
Versorgung Spülwasser	Druck:	2...8 bar (200...800 kPa, 29...116 psi)
	Partikelfilter:	50 µm
	Volumen:	≥ 4 l/Min.
	Anschluss:	Innengewinde G1/4"
	Adapter:	Aussengewinde 1/4" NPT (PP)
Pumpe	Förderhöhe:	max. 5 m
	Ansaughöhe:	max. 3 m
	Förderleistung:	3...5 ml/Sek. (abhängig von Schlauchlänge und Viskosität)
	Material:	PPS (Pumpenkörper) EPDM (Membrane und Dichtungen)
	Anschluss:	Innengewinde G1/8" Polymer (PP)
Viskosität	Alle Flüssigkeiten 25 mPa s (25 °C)	
Medienberührte Materialien	In Berührung mit:	
	– Spülwasser:	PP, EPDM, PTFE, PPS, Ni
	– Druckluft:	PP, EPDM, PTFE, PPS, LDPU, Ni
	– Reinigungsmittel:	PP, FFKM, PTFE, EPDM, PEEK
Flüssigkeitstemperaturen	Wasser:	0...80 °C, 95 °C max. 10 Min./h
	Reinigungsmittel:	0...50 °C

Technische Änderungen vorbehalten.

2 Sicherheit

2.1 Einleitung

Die Betriebsanleitung enthält die wichtigsten Angaben, um EasyClean 200 e effizient und bestimmungsgemäss zu nutzen. Grundvoraussetzung für den sicherheitsgerechten Umgang und den störungsfreien Betrieb ist die Kenntnis dieser Sicherheitsvorschriften und die Beachtung der weiteren Warnhinweise in der Betriebsanleitung.

Diese Betriebsanleitung, insbesondere die Sicherheitsvorschriften, sind vom Betreiber und allen Personen zu beachten, die mit EasyClean 200 e arbeiten. Darüber hinaus sind die für den Einsatzort geltenden Regeln und gesetzlichen Vorschriften zu beachten.

Die Betriebsanleitung muss ständig griffbereit aufbewahrt werden und für jede Person, die mit EasyClean 200 e arbeitet, zugänglich sein.

2.2 Bestimmungsgemässe Verwendung

EasyClean 200 e ist ausschliesslich für das automatisch gesteuerte oder manuell bediente Spülen und Reinigen von Elektroden in Wechselarmaturen bestimmt und wie in dieser Betriebsanleitung beschrieben einsetzbar.

Zur bestimmungsgemässen Verwendung gehören zudem:

- die Beachtung der Anweisungen, Vorschriften und Hinweise in der vorliegenden Betriebsanleitung
- die Einhaltung der vorgeschriebenen Inspektions- und Wartungsintervallen
- die korrekte Instandhaltung des Systems
- der Betrieb unter der Beachtung der vorgeschriebenen Umwelt- und Betriebsbedingungen und den zulässigen Einbaulagen
- die Einhaltung der örtlichen Gesetzgebung.

2.3 Nicht bestimmungsgemässe Verwendung

Jede andere als die oben erwähnte Verwendung sowie jede Anwendung, die nicht den technischen Daten entspricht, gilt als nicht bestimmungsgemäss. Für allfällige Schäden, die auf eine solche Verwendung zurückzuführen sind, trägt der Betreiber das alleinige Risiko.

Insbesondere folgende Anwendungen sind unzulässig:

- Verwendung von Hydraulikflüssigkeiten anstelle von Druckluft
- Verwendung von Suspensionen als Reinigungsmittel
- Verwendung von > 10 %iger Salzsäure.

2.4 Grundsätze

Die EasyClean 200 e Geräte sind nach dem Stand der Technik und den anerkannten sicherheitstechnischen Regeln gebaut.

Dennoch können von den Geräten Risiken und Gefahren ausgehen:

- wenn die Geräte von ungenügend ausgebildeten Personen bedient werden.
- wenn die Geräte nicht bestimmungsgemäss verwendet werden.
- wenn die periodischen Inspektionen am Gerät nicht oder nur zum Teil durchgeführt werden.

Die EasyClean 200 e Geräte dürfen nur in technisch einwandfreiem Zustand sowie bestimmungsgemäss, sicherheits- und gefahrenbewusst unter Beachtung der Betriebsanleitung benutzt werden.

Störungen oder Beschädigungen, die die Sicherheit und Funktion beeinträchtigen, sind umgehend durch den Betreiber oder eine Fachperson zu beseitigen und dem Hersteller schriftlich zu melden!

2.5 Warnhinweise und Symbole

In dieser Betriebsanleitung werden folgende Symbole zur Kennzeichnung von Sicherheitshinweisen benutzt:



GEFAHR

Warnung vor einer Gefahr, die zu hohem Sachschaden, zum Tode oder zu schweren Körperverletzungen führen kann.



VORSICHT

Warnung vor einer möglicherweise gefährlichen Situation, welche zu leichten Körperverletzungen und/oder Sachschäden führen kann.



HINWEIS

Information, die auf technische Erfordernisse hinweist. Nichtbefolgung kann zu Störungen, Unwirtschaftlichkeit und evtl. zu Produktionsverlusten führen.

2.6 Verantwortlichkeiten, organisatorische Massnahmen

Verpflichtung des Betreibers

- Der Betreiber verpflichtet sich, nur Personen an EasyClean arbeiten zu lassen, die mit den grundlegenden Vorschriften über Arbeitssicherheit und Unfallverhütung vertraut und in die Handhabung des Geräts eingewiesen sind. Die vorliegende Bedienungsanleitung gilt hierfür als Grundlage.
- Ergänzend zur Betriebsanleitung sind allgemeingültige gesetzliche und sonstige verbindliche Regelungen zur Arbeitssicherheit und Unfallverhütung sowie zum Umweltschutz durch den Betreiber bereitzustellen und zu instruieren.
- Sicherheits- und gefahrenbewusstes Arbeiten des Personals ist in regelmässigen Abständen zu überprüfen.
- Massnahmen sind zu treffen, damit EasyClean nur in sicherem, funktionsfähigem Zustand betrieben wird.

Verpflichtung des Personals

- Alle Personen, die mit Arbeiten an EasyClean beauftragt sind, verpflichten sich, das Kapitel Sicherheitsvorschriften und die Warnhinweise in dieser Betriebsanleitung zu lesen.
- Ergänzend zur Betriebsanleitung sind allgemeingültige gesetzliche und sonstige verbindliche Regelungen zur Arbeitssicherheit und Unfallverhütung zu beachten.
- Jede sicherheitsbedenkliche Arbeitsweise welche die bestimmungsgemässe Verwendung des Gerätes überschreitet, ist zu unterlassen.

Personalauswahl und -qualifikation– grundsätzliche Pflichten

- Arbeiten an EasyClean dürfen nur von zuverlässigem, geschultem oder unterwiesenem Personal durchgeführt werden. Das Bedienungspersonal muss das diese Betriebsanleitung vorgängig gelesen haben.
- Zuständigkeiten des Personals für das Bedienen, Warten, Instandsetzen etc. sind klar festzulegen.
- Es ist sicherzustellen, dass nur dazu beauftragtes Personal am Gerät tätig wird.
- Zu schulendes, anzuweisendes oder im Rahmen einer allgemeinen Ausbildung befindliches Personal darf nur unter ständiger Aufsicht einer erfahrenen Person am Gerät tätig werden.
- Arbeiten an der elektrischen Ausrüstung des Geräts dürfen nur von einer Elektrofachkraft gemäss den elektrotechnischen Regeln vorgenommen werden.

Bauliche Veränderungen am Gerät

- Es dürfen keine Veränderungen, An- und Umbauten am Gerät, die die Sicherheit beeinträchtigen, ohne schriftliche Genehmigung von Mettler-Toledo GmbH, Process Analytics vorgenommen werden.
- Teile in nicht einwandfreiem Zustand sind sofort auszutauschen.

2.7 Produktspezifische Gefahren



GEFAHR

Gefährdung durch elektrische Energie!

Wenn das Gerät für die Durchführung von Installations- und Reparaturarbeiten geöffnet wird, werden spannungsführende Teile freigelegt.

Schliessen Sie das Gerät nach Durchführung der Arbeiten sofort wieder!



GEFAHR

Gefährdung durch Druckluft/Wasser!

Zu öffnende Druckleitungen (Druckluft, Spülwasser) vor Beginn von Reparaturarbeiten absperren und drucklos machen!

2.8 Restgefahren



GEFAHR

Trotz aller getroffenen Vorkehrungen bestehen Restgefahren wie z.B.:

- Bersten einer Leitung.
- Gefährdung durch Störung an einer übergeordneten Steuerung.

2.9 Massnahmen im Notfall



GEFAHR

Falls Flüssigkeit in die Augen gelangt, sofort unter fließendem Wasser mindestens 15 Minuten abspülen. Anschliessend muss ein Arzt zur Kontrolle aufgesucht werden.

Flüssigkeit auf der Haut sofort mit Wasser abwaschen.

Ärztliche Hilfe ist immer erforderlich bei Symptomen, die offensichtlich durch die Einwirkung eines Kontaktes mit einem Medium auf Haut oder Augen zurückzuführen sind. Informieren Sie den Arzt über Art und Kennzeichnung aller verwendeten Stoffe.

2.10 Sicherheitsmassnahmen

Die lokalen Gesetze und Vorschriften müssen immer beachtet werden. Sie sind nicht Bestandteil dieser Betriebsanleitung.

Das Tragen von persönlicher Schutzausrüstung wie Schutzbrille und Schutzkleidung ist grundsätzlich erforderlich.

Das Gerät darf nur in geschlossenem Zustand betrieben werden.

Der Betreiber ist für die Instruktion des Personals verantwortlich. Dazu kann diese Betriebsanleitung auch in weiteren Sprachen nachbestellt werden. Diese Betriebsanleitung muss als Bestandteil des Gerätes jederzeit dem Bedienungspersonal am Einsatzort des Gerätes zur Verfügung stehen.

Der Betreiber informiert den Hersteller umgehend über alle sicherheitsrelevanten Vorkommnisse, die sich bei der Verwendung des Gerätes ereignen.

2.11 Modifikationen

Modifikationen sind nur nach Rücksprache und schriftlicher Genehmigung des Herstellers gestattet.

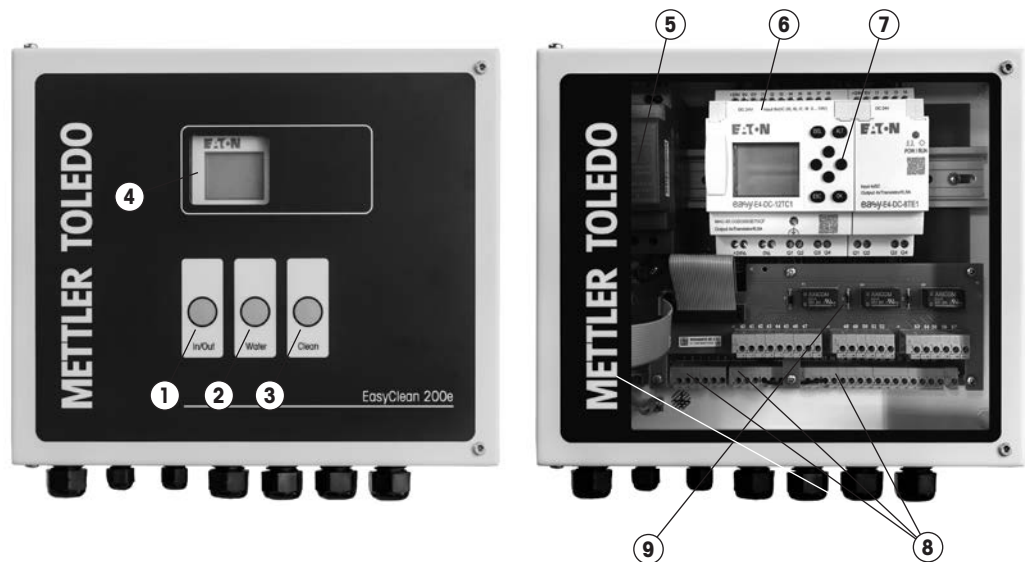
Es dürfen nur die zur Erfüllung der Funktion bestimmten Teile des Gerätes ein- und ausgebaut werden. Entfernen von Schutzvorrichtungen und Abdeckungen unter Zuhilfenahme von handelsüblichen Werkzeugen ist – ausser von autorisiertem Instandsetzungspersonal – verboten. Bei Berührung spannungsführender Teilen besteht Lebensgefahr.

3 Ihr Gerät

3.1 Aufbau

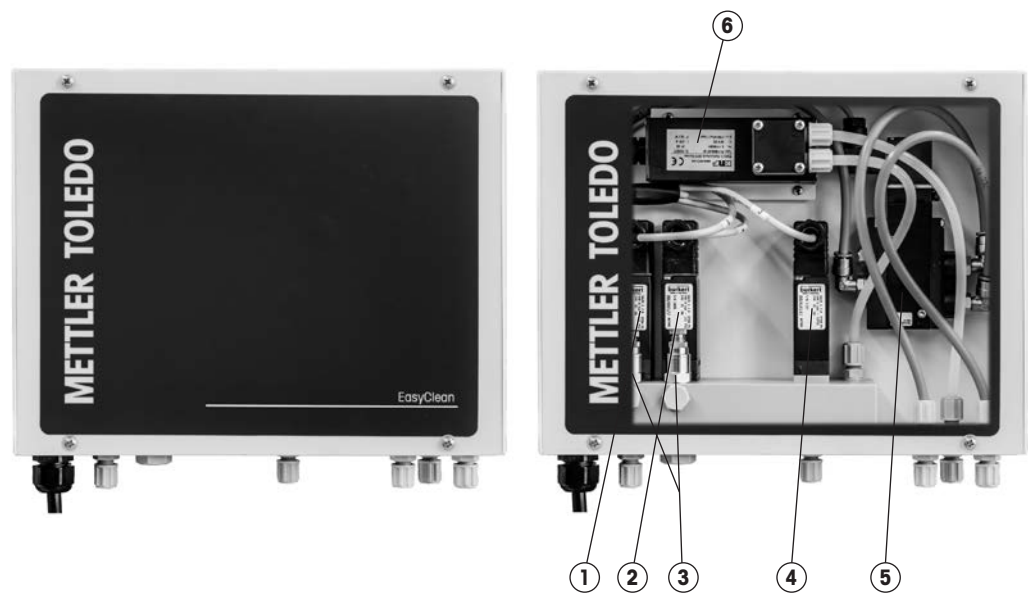
Steuergerät

EasyClean 200 e



- 1 Taster «In/Out» (Armatursteuerung)
- 2 Taster «Water»
- 3 Taster «Clean»
- 4 Informationsdisplay
- 5 Netzteil

- 6 Micro SPS Steuerung
- 7 Bedienteil SPS
- 8 Anschlussklemmen
- 9 Abgesetzte Leiterplatte

Ventileinheit (Abbildung zeigt Ventileinheit EasyClean 200 e)

- 1 Druckluftventil
- 2 Wasserventil
- 3 Druckreduzierventil

- 4 Reinigungsmittelventil
- 5 Armaturensteuerventil
- 6 Membranpumpe

3.2 Funktionen

Allgemeines

EasyClean 200 e ist für das automatische Spülen und Reinigen von Elektroden in Wechselarmaturen konzipiert.

EasyClean wird mit einem vordefinierten Spül- und Reinigungsablauf ausgeliefert. Die Spül- als auch die Reinigungszeit kann durch den Betreiber den individuellen Verhältnissen vor Ort angepasst werden.

Die Auslösung der einzelnen Abläufe erfolgt durch das Schalten des Waschkontaktes des angeschlossenen Transmitter.

Eine integrierte SPS-Steuerung steuert den gesamten Spül- resp. Reinigungsvorgang.

Betriebsarten

EasyClean besitzt keinen Hauptschalter und befindet sich immer in einem aktiven Zustand.

Grundstellung

Bei ausgeschaltetem EasyClean 200 e ist die Elektrode aus dem Prozessmedium ausgefahren.

Wird EasyClean 200 e ans Netz angeschlossen fährt die Armatur resp. der Sensor in die Messposition.

Die Meldung «RUN» erscheint auf dem Display. EasyClean ist betriebsbereit.

«HOLD»-Funktion

Die «HOLD»-Funktion ist eine Funktion des Transmitters. Diese Funktion unterdrückt die gemessenen Werte des Sensors während eine Arbeitszyklusses des EasyClean.



HINWEIS

Wird der Transmitter zum Regeln mit Endpunkten verwendet ist eine «HOLD»-Funktion unbedingt notwendig. Signale welche durch das Reinigen mit Säure oder Lauge gemessen werden können, können ansonsten die Steuerung des Transmitters aktivieren.

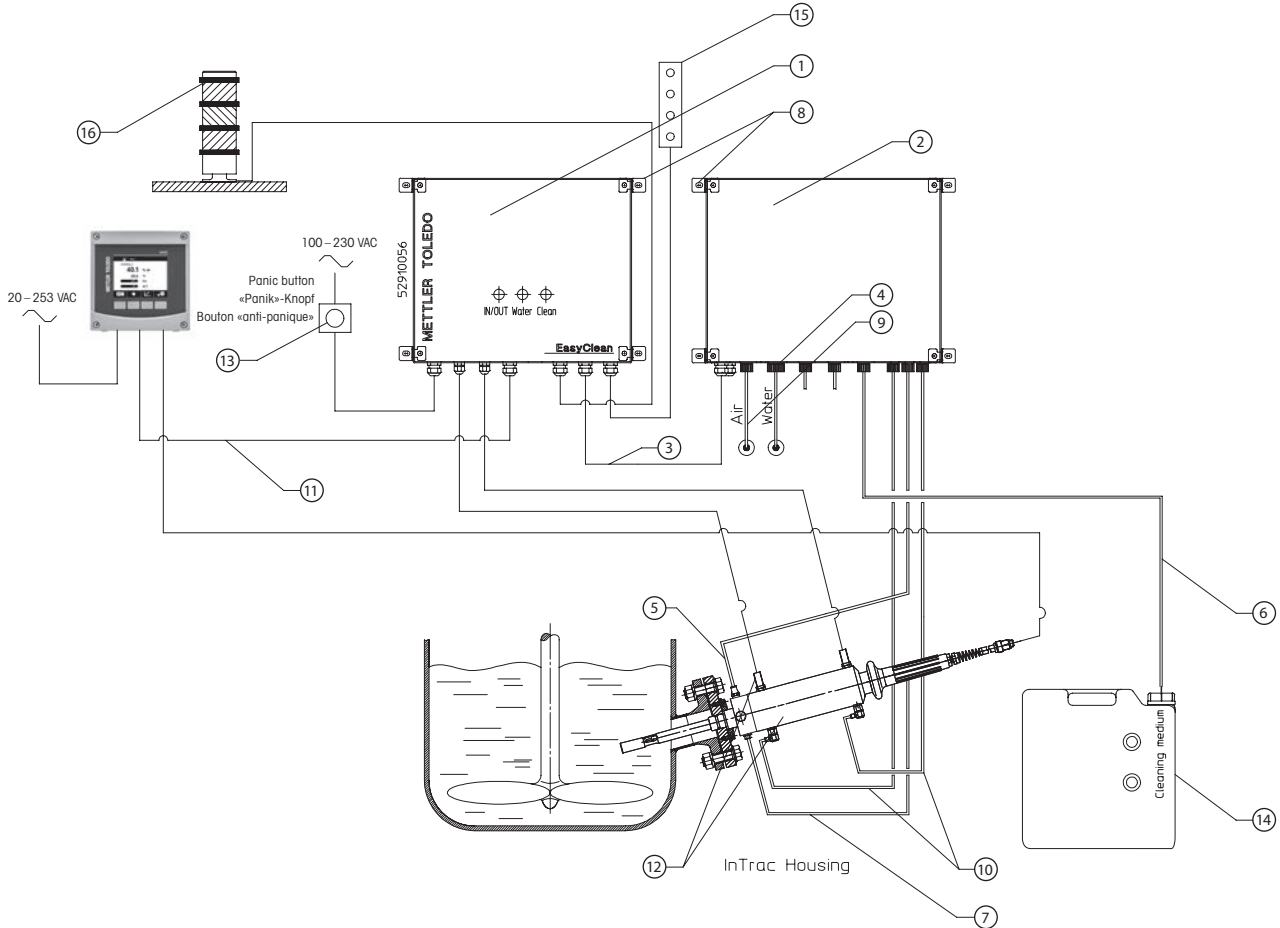
Meldungen

Die integrierte Steuerung ist mit einem Display ausgestattet. Dieses zeigt den jeweiligen Funktionszustand der Steuerung an.

3.3 Integration in ein Messsystem

In den nachfolgenden Schemas ist ein typisches Beispiel für die Integration von EasyClean 200 e in ein Messsystem dargestellt.

EasyClean 200 e



- 1 Steuereinheit
- 2 Ventileinheit
- 3 Steuerkabel Steuereinheit > Ventileinheit
- 4 Wasseranschluss
- 5 Abwasserschlauch
- 6 Verbindungsschlauch Ventileinheit > Reinigungsmittel
- 7 Verbindungsschlauch Ventileinheit > Wechselarmatur
- 8 Wandbefestigung
- 9 Druckluftschlauch Eingang
- 10 Druckluftschläuche
- 11 Steuerkabel Transmitter > Steuereinheit
- 12 Pneumatikset Wechselarmatur
- 13 Not-Aus Schalter (optional)
- 14 Reinigungsmittel-Kanister
- 15 Fernsteuerung
- 16 Alarmleuchte

4 Inbetriebnahme



GEFAHR

Beachten Sie Kapitel 2 «Sicherheit».

Alle Arbeiten an elektrischen Komponenten des Systems dürfen nur durch autorisiertes Fachpersonal durchgeführt werden.

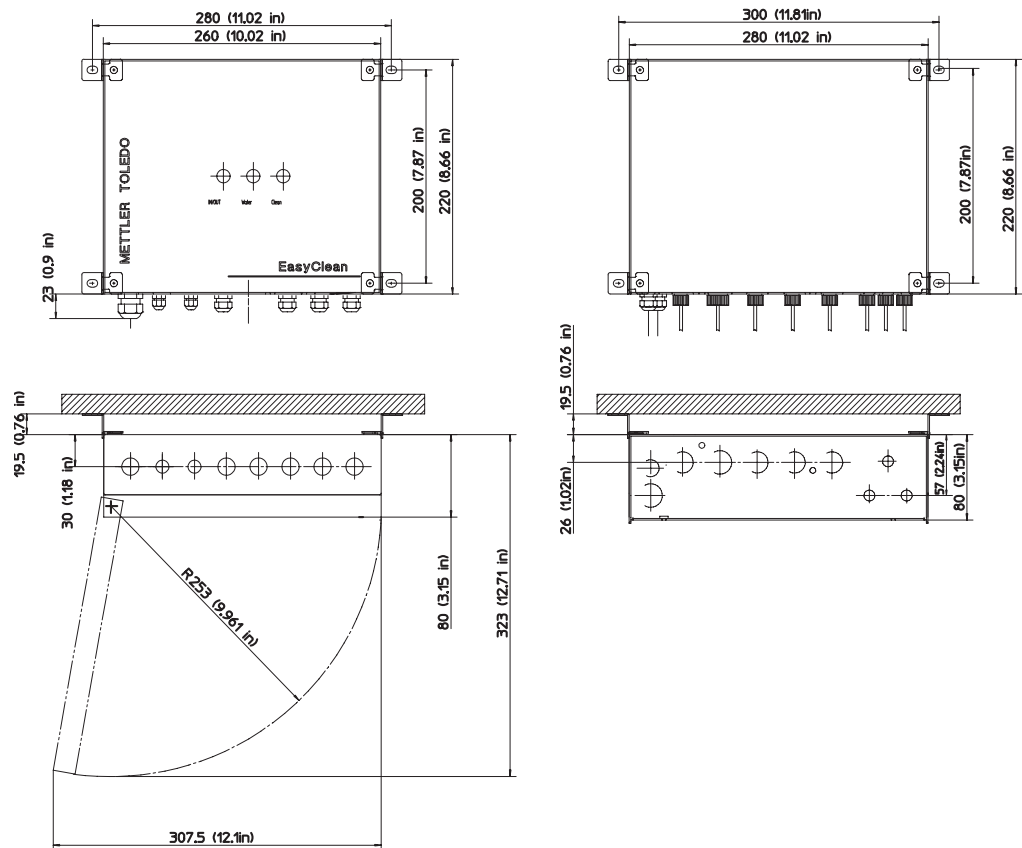
4.1 Montage

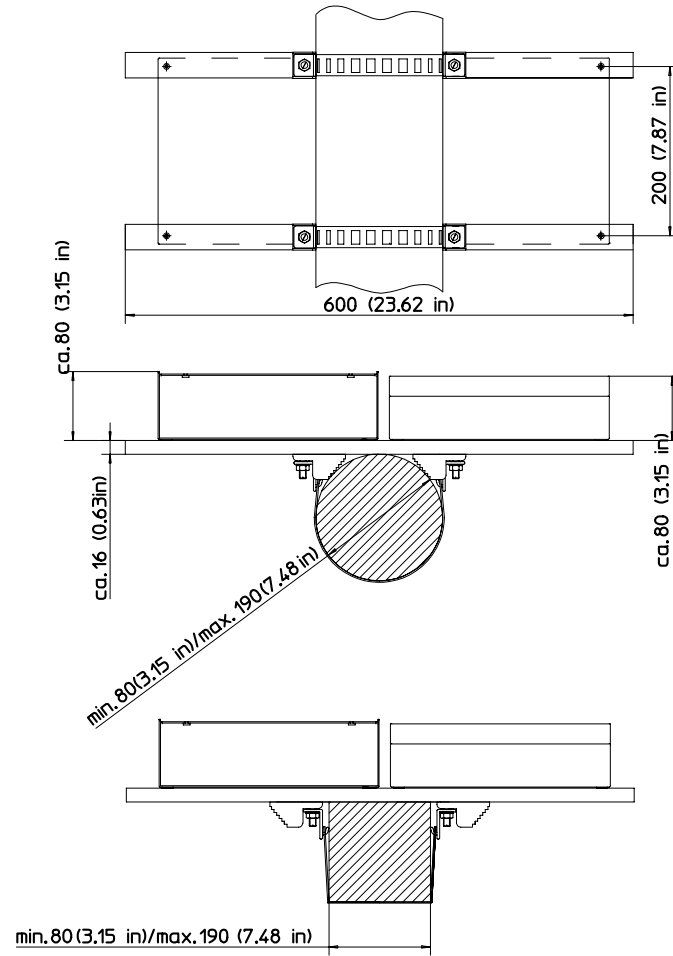
EasyClean 200 e ist für direkte Montage (C-Schiene), Wand- oder Mastmontage vorgesehen.

Der Montageplatz muss eine ausreichende Festigkeit haben und möglichst vibrationsfrei sein.

Achten Sie darauf, dass die Leitungslängen möglichst kurz sind.

Wandmontage



Mastmontage**HINWEIS**

Das genaue Vorgehen bei der Montage der Aufhängung entnehmen Sie der separat beigelegten Installationsanleitung.

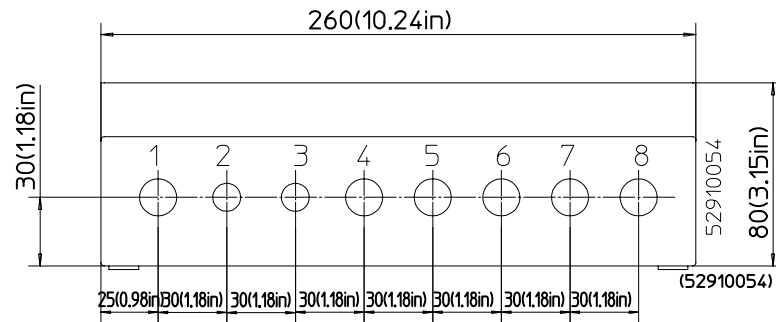
4.2 Anschlüsse



VORSICHT

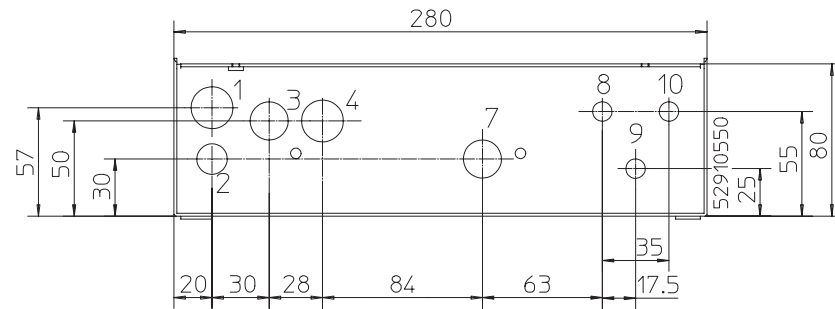
Kontrollieren Sie vor dem Anschliessen, dass die Anschlusswerte gemäss Abschnitt 1.3 «Daten und Kenngrössen» eingehalten sind.

Anschlüsse am Gehäuseboden der Steuereinheit



- 1 Durchführung Netzkabel M 16 (kundenseitiges Netzkabel)
- 2 Positionsrückmelder Armatur «vorne»
- 3 Positionsrückmelder Armatur «hinten»
- 4 Durchführung Steuerkabel Transmitter M 16
- 5 Reserve
- 6 Durchführung Alarmleuchte M 16
- 7 Durchführung Steuerkabel Ventileinheit M 16
- 8 Reserve

Anschlüsse am Gehäuseboden der Ventileinheit



- 1 Durchführung Steuerkabel von Steuereinheit M 16 (vormontiert)
- 2 Durchführung Kabel Durchflusssensor M 12 (optional)
- 3 Eingang Druckluft (Schlauch \varnothing 6/4 mm)
- 4 Eingang Wasser G $\frac{1}{4}$ " female (Adapter für «NPT & male»)
- 7 Eingang Reinigungslösung (PTFE-Schlauch \varnothing 6/4 mm, weiss)
- 8 Ausgang Druckluft Armatur «Service» (LDPE-Schlauch \varnothing 6/4 mm, schwarz)
- 9 Medium Ausgang (PTFE-Schlauch \varnothing 6/4 mm, weiss)
- 10 Ausgang Druckluft Armatur «Messen» (LDPE-Schlauch \varnothing 6/4 mm, schwarz)

**HINWEIS**

Zweckmässigerweise wird **für Wasser und Druckluft gebäudeseitig ein Absperrorgan** in der Nähe des EasyClean 200 e installiert. Dies erleichtert Wartungsarbeiten und erhöht die Arbeitssicherheit bei der Montage und Demontage des Gerätes.

Die Druckluftspeisung muss **mindestens 4 bar** betragen. **Die Steuerluft muss wasser-, oelfrei und gefiltert sein.**

Beachten Sie die örtlichen Vorschriften für Pneumatik- und Wasserinstallationen.

Anschlüsse an die Eintaucharmatur

Für die Installation an der Wechselarmatur konsultieren Sie die entsprechende Betriebsanleitung der Armatur.

Elektrische Anschlüsse

Die EasyClean 200 e sind für die METTLER TOLEDO Transmitter wie in Abschnitt 1.3 beschrieben ausgelegt. Für die korrekte Installation an anderen Transmittern konsultieren Sie die jeweilige Anleitung.

**GEFAHR**

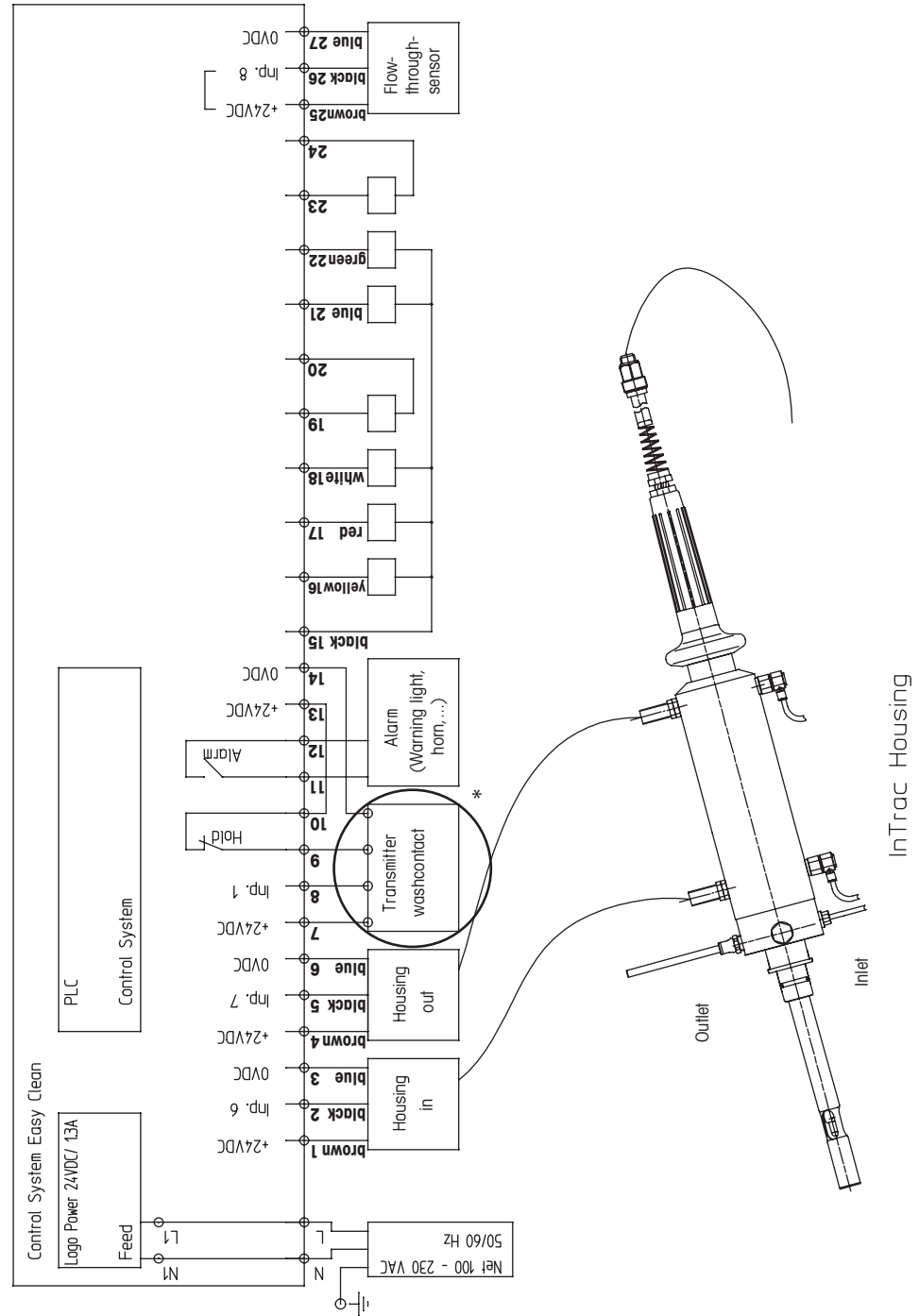
Der Netzanschluss darf nur durch autorisiertes Fachpersonal entsprechend den elektrotechnischen Regeln ausgeführt werden.

Für den gebäudeseitigen Netzanschluss beachten Sie auch die örtlichen Vorschriften.

**HINWEIS**

Der Leitungsschutzschalter muss in der Gebäudeinstallation und in der Nähe des EasyClean-Gerätes montiert sein.

Elektrische Anschlüsse EasyClean 200 e



* Transmitter Anschlussdaten siehe nachfolgende Details.

Anschluss an Transmitter

Transmitter M300 G2 Process

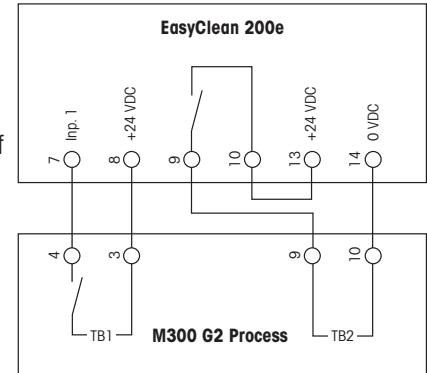


HINWEIS

Brücke setzen an Klemme 10 und 13 im EasyClean 200 e.

Stellen Sie das Relais am Transmitter beispielsweise auf #2, um den Kontakt zu spülen.

Stellen Sie die Spülzeit am Transmitter M300 auf 5 Sekunden ein und legen Sie das Spülintervall entsprechend den Prozessanforderungen fest. Legen Sie außerdem die Spülzeit (T2) und die Verweildauer des Reinigungsmittels (T3) im EasyClean 200 e fest.



Transmitter M400 G2

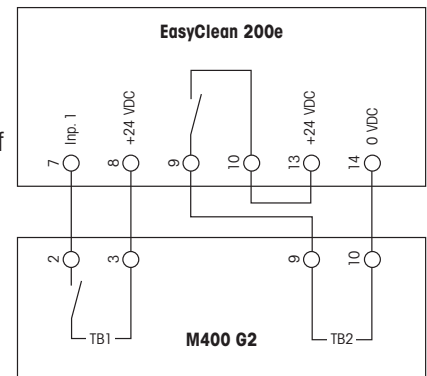


HINWEIS

Brücke setzen an Klemme 10 und 13 im EasyClean 200 e.

Stellen Sie das Relais am Transmitter beispielsweise auf #1, um den Kontakt zu spülen.

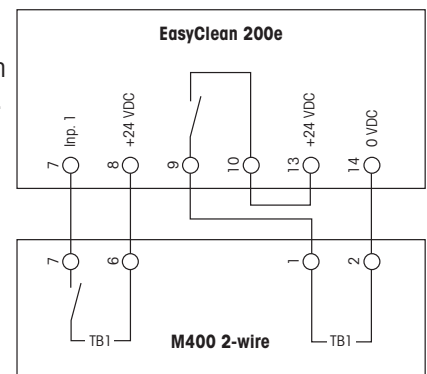
Stellen Sie die Spülzeit am Transmitter M300 auf 5 Sekunden ein und legen Sie das Spülintervall entsprechend den Prozessanforderungen fest. Legen Sie außerdem die Spülzeit (T2) und die Verweildauer des Reinigungsmittels (T3) im EasyClean 200 e fest.



Transmitter M400 2-Wire

Stellen Sie OC1 und Digitaleingang 1 beispielsweise am 2-Wire-HART-Transmitter M400 auf Kontaktspülung ein.

Stellen Sie die Spülzeit am Transmitter auf 5 Sekunden ein und legen Sie das Spülintervall entsprechend den Prozessanforderungen fest. Legen Sie außerdem die Spülzeit (T2) und die Verweildauer des Reinigungsmittels (T3) im EasyClean 200 e.



Transmitter M800

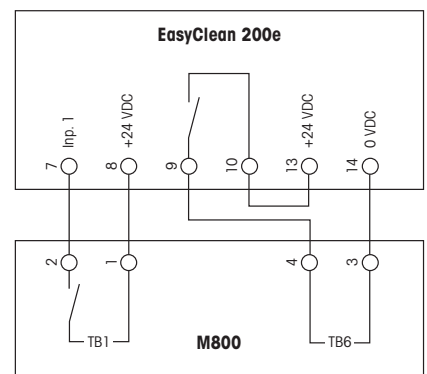


HINWEIS

- 1 1-Kanal-Mischversion M800, bitte TB6 auf TB5 ändern.
- 2 M800 Profinet und Ethernet/IP unterstützen keine Reinigungsfunktion.

Stellen Sie Relais Nr. 2 und Digitaleingang 1 beispielsweise am 2/4-Kanal-Transmitter M800 auf Kontaktspülung ein.

Stellen Sie die Spülzeit am Transmitter auf 5 Sekunden ein und legen Sie das Spülintervall entsprechend den Prozessanforderungen fest. Legen Sie außerdem die Spülzeit (T2) und die Verweildauer des Reinigungsmittels (T3) im EasyClean 200 e fest.



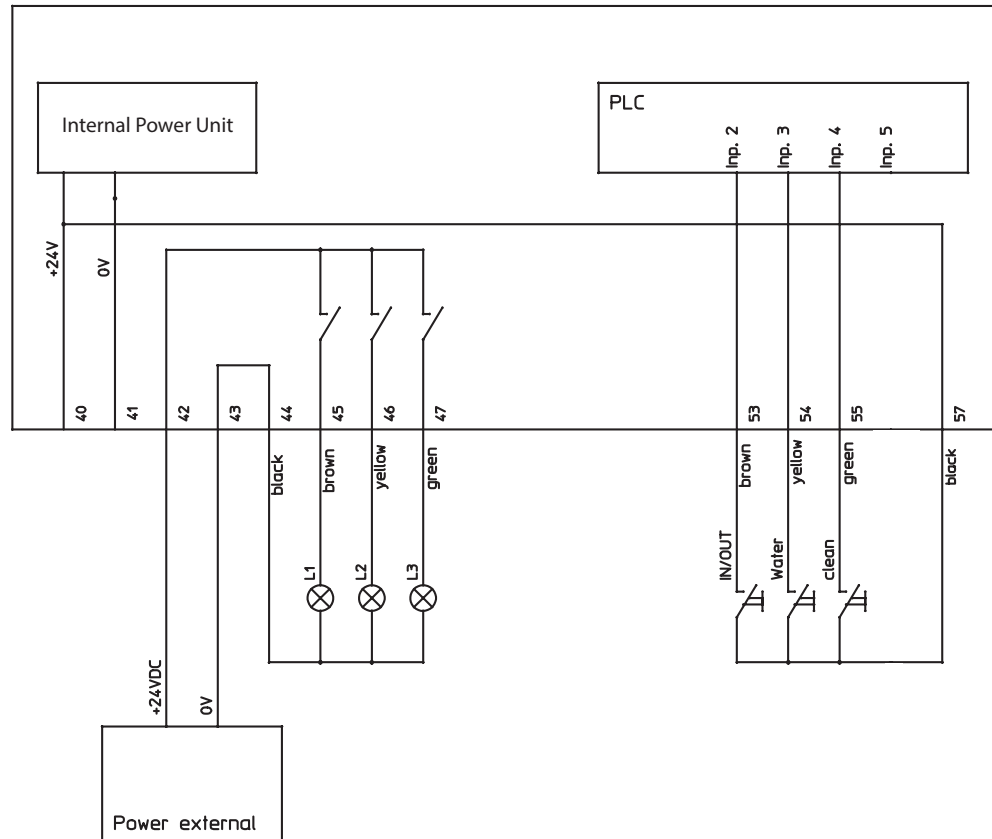
Klemmenbelegung Steuerprint

Anschluss Nr.	Funktion	Bezeichnung	Farbe des-Kabels	Verbunden mit
1	Positionsmelder Armatur vorne	+24 V DC	braun	—
2	Positionsmelder Armatur vorne	Inp. 6	schwarz	—
3	Positionsmelder Armatur vorne	0 V DC	blau	—
4	Positionsmelder Armatur hinten	+24 V DC	braun	—
5	Positionsmelder Armatur hinten	Inp. 7	schwarz	—
6	Positionsmelder Armatur hinten	0 V DC	blau	—
7	Transmitter Waschkontakt	+24 V DC	—	—
8	Transmitter Waschkontakt	Inp. 1	—	—
9	Transmitter	Hold	—	—
10	Transmitter	Hold	—	—
11	Alarm	—	—	—
12	Alarm	Alarm	—	—
13	Alarm	+24 V DC	—	—
14	Alarm	DVDC	—	—
15	Ventileinheit / Rückführventil	—	schwarz	Ventil R7
16	Ventileinheit / Armatur	—	gelb	Ventil A8
17	Ventileinheit / Luft	—	rot	Ventil L3
18	Ventileinheit / Wasser	—	weiss	Ventil W4
19	n.c.	—	—	—
20	n.c.	—	—	—
21	Ventileinheit / Pumpe	—	blau	Ventil P9
22	Ventileinheit / Reinigung	—	green	Ventil R7
23	n.c.	—	—	—
24	n.c.	—	—	—
25	Niveau	+24 V DC	braun	—
26	Niveau	Inp. 8	schwarz	—
27	Niveau	DVDC	blau	—
SL	Schutzleiter	Erdung	Kunde	Gehäuse
N	Neutral	Stromvers.	Kunde	Logo Power
L	Strom	Stromvers.	Kunde	Logo Power

**HINWEIS**

Um eine Alarmmeldung des EasyClean extern zu nutzen (Warnlicht, Horn oder andere externe Melder) kann ein 24 V-Spannung von den Klemmen 13 und 14 abgenommen werden. Klemme 12 und 13 überbrücken. Klemme 11 und 14 auf Alarmmelder zurückführen.

Elektrische Anschlüsse der abgesetzten Leiterplatte



Klemmenbelegung der abgesetzten Leiterplatte

Anschluss Nr.	Funktion	Bezeichnung	Verbunden mit
40	Speisung EasyClean 200 e	+24 V int.	—
41	Speisung EasyClean 200 e	0 V intern	—
42	Speisung extern	+24 V	—
43	Speisung extern	0 V	—
44	3-fach Alarmleuchte	Common	43 (Brücke)
45	3-fach Alarmleuchte «Betrieb»	L1	1 (Leuchte)
46	3-fach Alarmleuchte «Service»	L2	2 (Leuchte)
47	3-fach Alarmleuchte «Alarm»	L3	3 (Leuchte)
53	Fernsteuerung	B	—
54	Fernsteuerung	S	—
55	Fernsteuerung	R	—
56	Fernsteuerung	K	—
57	Fernsteuerung	+24 V	—



HINWEIS

Wenn eine Alarmleuchte über das EasyClean-Netzteil gespeist werden soll, müssen die Klemmen Nr. 40 und 42 und die Klemmen 41 und 43 miteinander verbunden werden.

4.3 Inbetriebnahme

- 1 EasyClean 200 e an einer Wand oder an einem Mast montieren so dass die Anschlüsse nach unten gerichtet sind (siehe Abschnitt 4.1 «Montage»).
- 2 Anschlüsse installieren (siehe Abschnitt 4.2 «Anschlüsse»).
 - Druckluftversorgung
 - Spülwasseranschluss gebäudeseitig
 - Pneumatik- und Spülleitungen zwischen EasyClean und Wechselarmatur (Pneumatik Schläuche sind optionales Zubehör)
 - Anschluss Behälter für Reinigungsmittel
 - Signalleitung zu Transmitter



HINWEIS

Die Leitungen werden mit Druckluft gespült und müssen bei Instabilität fixiert werden, z.B. mit Kabelbindern.

- 3 Kontrolle vor Inbetriebsetzung:
 - Sind Druckluft, Spülwasser und Abwasser korrekt angeschlossen?
 - Sind Wechselarmatur und Transmitter nach den Angaben in den entsprechenden Betriebsanleitungen installiert und angeschlossen?
 - Sind alle nicht benutzten Verschraubungen mit Stopfen verschlossen?
 - Ist Reinigungsmittel im Behälter eingefüllt?
 - Sind alle Schlauchverbindungen sorgfältig verlegt?
- 4 Erstinbetriebsetzung
Nachdem der Transmitter, Wasser, Druckluft und Reinigungsmittel korrekt angeschlossen wurden, kann EasyClean am Netz angeschlossen werden.

Netzkabel anschliessen:

Kabelanschlüsse
N- und L-Leiter



Für Schutzleiteranschluss muss beigelegte Flachsteckhülse mit Doppelpressstelle verwendet werden.

Wenn EasyClean am Strom angeschlossen wurde, fährt die Armatur respektive der Sensor in den Prozess «Messposition».

4.4 Funktionstest



HINWEIS

Im stromlosen Zustand ist der Sensor aus dem Prozess ausgefahren.

Die Funktionen: **Spülen** und **Reinigen**, als auch die **Funktionen der Überwachungssensoren**, können ohne Transmitter getestet werden.

Können die Abläufe gemäss Beschreibung in Kapitel 5.3 nachvollzogen werden ist das System betriebsbereit. Bei Fehlfunktionen konsultieren Sie Kapitel 6.2 «Störungsbehebung».

Rückmeldung der Armatur testen

- 1 Alle Rückmelderkabel, für den Test, von der Anschluss-Klemmen trennen.
Nr. 1, 2, 3 (vorne)
Nr. 4, 5, 6 (hinten)
- 2 Ca. 12 Sekunden nach dem Trennen der Positionsmelder erscheint im Anzeigendisplay die Alarmmeldung: **«Armatur, Housing, Armature»**
- 3 Nachdem diese Meldung erschienen ist, können die Kabel wieder in die jeweilige Klemmenposition montiert werden.

Option Durchflusssensor testen (nur falls vorhanden)

- 1 Alle Anschlüsse für den Test, von den Anschluss-Klemmen trennen.
Nr. 25, 26, 27 (Niveau)
- 2 Durch betätigen der Taste **«Water»** einen manuellen Spülvorgang auslösen.
- 3 Die Meldung **«Füllstand, Check Levels, Niveau»** erscheint nach 12 Sekunden auf dem Display der Steuerung.
Hinweis: Die Meldung **«Füllstand, Check Levels, Niveau»** kann durch gleichzeitiges Drücken der Tasten **«In/Out»** und **«Water»** zurückgesetzt werden.



HINWEIS

Jeder Ablauf kann mit Reset (Taster **«In/Out»** und **«Water»** gleichzeitig drücken) abgebrochen werden. EasyClean führt nach Reset einen Spülzyklus durch. Die Armatur fährt anschliessend immer in die Serviceposition.



HINWEIS

Kontrollieren Sie während dem Funktionstest ob alle Schlauchverbindungen dicht und gut fixiert sind.

Die Funktionalität der Armatur kann durch das Drücken der Taste **«In/Out»** überprüft werden.

Testen Sie die Spül- und Reinigungsabläufe anhand des Programmablaufes durch Betätigung der entsprechenden Taste (**«Water»** oder **«Clean»**).

4.5 Einstellungen Steuerung EasyClean 200 e

4.5.1 Bedienoberfläche SPS










GEFAHR

Um an die Bedienoberfläche der Steuerung zu gelangen muss der Gehäusedeckel geöffnet werden.

Der Gehäusedeckel darf nur durch autorisiertes und geschultes Fachpersonal geöffnet werden.

Funktionen der Tasten

		«DEL»	Keine Funktion im Normalzustand
		«Alt»	Keine Funktion im Normalzustand
		«OK»	Zur nächsten Menüebene wechseln Menüpunkt aufrufen Eingaben speichern
		«ESC»	Zur vorherigen Menüebene wechseln
		«▲», «▼»	Menüpunkte wählen und wechseln oder Werte einstellen
		«◀», «▶»	Zahlen wechseln

Menü aufrufen / Menüpunkte

Taste **«OK»** drücken. Aktuelle Auswahl blinkt im Informationsdisplay.

Menüpunkt **STOP**

STOP ✓ RUN
PARAMETERS
SET CLOCK
CARD

Anzeige **STOP** Die SPS ist in betriebsbereiten Zustand.
Das Programm ist aktiv.

Anzeige **RUN** Die SPS ist inaktiv.
Es kann kein Ablauf gesteuert werden.

Menüpunkt **PARAMETER**

STOP ✓ RUN
PARAMETERS
SET CLOCK
CARD

In diesem Untermenü können die Spül- und Reinigungszeit angepasst werden. Mit der **«▲»** oder **«▼»**-Taste (Mitte) können die Zeiten der Reinigung und Spülung in der SPS gefunden und eingestellt werden.

T1 = Verlängerung HOLD C3 = Förderzeit Reiniger
T2 = Spülzeit Wasser C5 = Förderzeit «Intermediate»
T3 = Einwirkzeit Reiniger

Nur diese fünf Parameter können modifiziert werden.

Menüpunkt **SET CLOCK**

STOP ✓ RUN
PARAMETERS
SET CLOCK
CARD

Unter diesem Menüpunkt kann die aktuelle Zeit eingestellt werden.
Die eingestellte Zeit hat keinen Einfluss auf die Funktion von EasyClean.

4.5.2 Parameterbeschreibung

Einstellbare Parameter EasyClean 200 e

Die Werkseinstellung ist mit Default Werten versehen. Um Durchlaufzeit und Reinigungsverbrauch oder den Reinigungseffekt zu optimieren, können Variablen verstellt werden.

Nur die fünf unten aufgeführten Variablen können modifiziert werden. Das restliche Programm ist unveränderbar.

Bezeichnung	Var.	Beschreibung	Default	Bereich
Verlängerung HOLD	T1	Verzögerungszeit, ehe der Transmitter wieder in den Messmodus zurückgeht. Damit können Temperaturunterschiede zwischen dem Reinigungszyklus und dem Prozess kompensiert werden, so dass der Transmitter erst wieder sendet, wenn die Elektrode stabil ist.	20 Sek.	0...2 Min.
Spülzeit Wasser	T2	Spülen mit Wasser durch Auslösen der Funktion «Water» oder vor dem Reinigen bei Auslösung der Funktion «Clean». Ausspülen der Reinigungslösung nach Ablauf der Wirkzeit.	1 Min.	0...2 Min.
Einwirkzeit Reiniger	T3	Zeit, während welcher das Reinigungsmittel an der Elektrode einwirken kann, um eine optimale Reinigung zu erzielen.	1 Min.	0...5 Min.
Förderzeit Reiniger ¹	C3	Benötigte Zeit, um das Reinigungsmittel in die Spülkammer zu befördern. Abhängig von Schlauchlänge und eingesetzter Armatur (Spülkammer-volumen).	30 Sek.	10...60 Sek.
Förderzeit Intermediate ² (Luft und Wasser)	C5	Automatisches Zwischenspülen beim Ausfahren in Service-Position, Ausspülen der Reinigungslösung. Abhängig von der Schlauchlänge.	4 Sek.	4...8 Sek.

1**Berechnung:**

$$T = \frac{(\text{Schlauchlänge [m]} \times 12.5^* + \text{Spülkammervolumen [ml]}) \cdot \text{fix, Schlauchinhalt pro m}}{4 \text{ [ml/s]}}$$

Beispiel:

$$T = \frac{(5 \times 12.5 + 30)}{4} = 23 \text{ s, C3 und C4 müssen mindestens diesen Wert erhalten.}$$

Die Viskosität und die Schlauchlänge haben einen Einfluss auf die Förderleistung der Pumpe. Die Maximalleistung beträgt 5 ml/s. Durch höhere Viskosität (über 25 Pa s) und lange Schläuche (über 10 m) kann sich die Leistung auf 3 ml/s reduzieren. Im Mittel kann mit 4 ml/s gerechnet werden. Der Füllgrad der Spülkammer wird geprüft, indem bei demontiertem Abwasserschlauch eine Reinigung ausgelöst wird: sobald Reinigungsmittel deutlich sichtbar aus der Armatur austritt, ist ihr Füllgrad erreicht. Werte von C3 gegebenenfalls anpassen.

Spülkammer-Kapazitäten:

Typ	Kapazität
InTrac 7XX single	20 ml
InTrac 7XX double	50 ml
InTrac 798 e	70 ml

2 Tabelle für Schlauchlängen:

Schlauchlänge	C5
1 m bis 5 m	4 Sek.
5 m bis 8 m	6 Sek.
8 m bis 10 m	8 Sek.

Programmablauf

EasyClean wird mit Standard-Programmabläufen ausgeliefert. Zwischen den einzelnen Funktionen und jeweils am Ende eines Ablaufes wird das gesamte System mit Wasser und Luft gespült. Aus den Standardeinstellungen resultieren folgende Programm-Durchlaufzeiten:

Reinigen: ca. 5 Minuten

5 **Bedienung**

5.1 **Kontrollen durch den Bediener**

Prüfen Sie vor dem Einschalten sowie täglich bzw. bei Schichtwechsel ob die **Versorgung mit: Druckluft, Spülwasser und elektrischer Energie** gewährleistet ist und der **Behälter mit Reinigungsmittel gefüllt** ist.



VORSICHT

Die Wechselarmatur darf **nur mit eingebauter Elektrode in die Messposition** gefahren werden, da andernfalls Prozessmedium aus der Wechselarmatur austreten könnte.

5.2 **Nachfüllen von Reinigungsflüssigkeit**



VORSICHT

Tragen Sie die **vorgeschriebene Schutzbekleidung** (Schutzbrille, Handschuhe etc.).

Der Durchflussmesser (optionales Zubehör) zeigt an, ob eine Flüssigkeit gefördert wird. Kann keine Flüssigkeit, während eines Fördervorganges detektiert werden, erzeugt EasyClean den Alarm «Füllstand». In diesem Fall sind folgende Möglichkeiten vorhanden

- Kein Wasserfluss
- Reinigungsmittel kann nicht angesaugt werden
(der Behälter muss nicht unbedingt leer sein! Siehe Kapitel 6.2 «Störungsbehebung»)

5.3 **Bedienung EasyClean 200 e**



HINWEIS

In Position «SERVICE» bleibt der «HOLD»-Kontakt im EasyClean immer geschlossen.



VORSICHT

Der Sensor darf erst aus der Armatur ausgebaut werden, wenn die Meldung «SERVICE» im Display der Steuerung erscheint. Zusätzlich muss die Position der Armatur visuell geprüft werden.



HINWEIS

Während eines Ablaufes werden Signale des Transmitters ignoriert.

Signale welche während eines Ablaufes ausgelöst werden, werden nicht gespeichert.

Es kann gleichzeitig nur ein Ablauf durchgeführt werden.

Die Armatur-Position vor einem Ablauf ist identisch mit der Position nach dem Ablauf.

Tasterbeschreibung

Taste	Funktion/ Ablauf	Meldung / Anzeige auf dem Display der SPS	Bemerkungen
«In/Out»	Umschalttaste von der Service- in die Messposition	Run (Messen) oder Service	Wenn die Armatur in Position Messen geht, wird der «HOLD»-Kontakt des Transmitters nach 12 Sekunden aufgehoben. Der Sensor wird mit Luft und Wasser gespült (25 Sek.).
«In/Out» und «Water» gleichzeitig drücken	Reset resp. Abbruch von laufenden Zyklen. Transmitter geht in den «HOLD»-Modus Es wird kurz mit Wasser und Luft gespült (25 Sek.). Prozessende.	Spülen H2O Run oder Service.	Die Armatur bleibt in der Serviceposition.
«Water»	Armatur fährt in die Serviceposition. Transmitter geht in den «HOLD»-Modus. Spülen. Prozessende.	Spülen H2O Run oder Service.	Abhängig von der Armaturposition
«Clean»	Armatur fährt in die Serviceposition. Transmitter geht in den «HOLD»-Modus. Spülen. Reinigen. Spülen. Prozessende.	Spülen H2O Reinigung Spülen H2O	

5.4 Verhalten bei Ausfall der Spannungs- oder Betriebsmittelversorgung

Ausfall der Druckluft

Messposition

- Steht die Armatur in Position «MESSEN» kann der Sensor durch den Prozessdruck Richtung Position «SERVICE» bewegt werden.
- Sobald der Positionsrückmelder die Endposition nicht mehr detektieren kann, wird nach 12 Sekunden ein Alarm ausgelöst.
- Der Transmitter geht auf «HOLD».

Serviceposition

- In der «SERVICE»-Position hat der Verlust der Druckluft keinen direkten Einfluss.
- Sobald EasyClean versucht, die Armatur in die Position «MESSEN» zu bewegen, detektieren die Positionsrückmelder einen Fehler und lösen nach 12 Sekunden einen Alarm aus.
- Der Transmitter bleibt auf «HOLD».

Ausfall Spannungsversorgung

- Die Armatur fährt aus dem Prozess und der Transmitter geht auf «HOLD».
- Sobald wieder Strom vorhanden ist fährt die Armatur immer in die Messposition (Meldung «RUN» auf dem Display), der Transmitter geht auf «MESSEN».

Kein Wasser oder Reinigungsmittel

- Ohne Durchflusssensor (optionales Zubehör) nicht erkennbar.
- Mit Option löst EasyClean einen Alarm aus, wenn 12 Sekunden keine Flüssigkeit detektiert werden kann.
- Diese Meldung bleibt bestehen, bis ein Reset («In/Out» und «Water»-Tasten gleichzeitig drücken) am EasyClean durchgeführt wird. Die Armatur befindet sich am Schluss des Prozesses in der Ausgangsstellung
- Ein allfällige Messung wird fortgesetzt.

6 Wartung und Störungsbehebung

Bei Fragen zu Störungen oder Reparaturen wenden Sie sich an ihren lokalen METTLER TOLEDO Kundendienst. Die Anschriften finden Sie am Ende dieser Betriebsanleitung.

6.1 Wartung

EasyClean 200 e ist wartungsarm, jedoch nicht wartungsfrei.

Zum Entfernen von Staub, Schmutz und Flecken können die Aussenflächen des Geräts mit einem weichen, mit Wasser angefeuchtetem Tuch abgewischt werden. Wenn nötig kann auch ein mildes Reinigungsmittel verwendet werden.



VORSICHT

Gehäuse darf **nicht mit azetonhaltigem Lösungsmittel** gereinigt werden.

Für die weitere Reinigung (z.B. Ausblasen des Gehäuses) kann gefilterte, öl- und wasserfreie Druckluft verwendet werden (Druck < 6 bar).



VORSICHT

Die **Innenseite des Gehäuses darf nicht mit Flüssigkeit** oder mit einem feuchten Lappen gereinigt werden.



VORSICHT

Bei der Reinigung des Pumpkolbens und des Zylinders dürfen die Oberflächen nicht zerkratzt und verletzt werden.

6.2 Störungsbehebung und Instandsetzung



GEFAHR

Beachten Sie Kapitel 2 «Sicherheit».

Instandsetzungsarbeiten dürfen nur durch Fachkräfte vorgenommen werden. Vor dem Öffnen des Gerätes muss dieses von der Stromquelle getrennt werden!

Störung	Mögliche Ursache	Behebung
Elektrode fährt nicht aus dem Prozess, InTrac-Armatur bewegt sich nicht	Druckluft nicht eingeschaltet. Luftdruck ist zu niedrig. Luftsteuerventil klemmt. Luftschläuche defekt oder Anschlüsse vertauscht. Luftsteuerventil wird nicht mit Strom versorgt. Stecker des Luftsteuerventils hat schlechten Kontakt.	Druckluft einschalten. Erhöhung des Druckes. Ventil reinigen evtl. ersetzen. Schläuche kontrollieren auf Undichtigkeit. Quetschungen der Schläuche vermeiden. Verdrahtung anhand Kapitel 4.2 «Anschlüsse» überprüfen (Stuereinheit Klemme 16, braun). Stecker A8 überprüfen.

Störung	Mögliche Ursache	Behebung
Elektrode fährt nicht aus dem Prozess, InTrac-Armatur bewegt sich nicht	Die Armatur erreicht die gewünschte Endposition nicht (Armatur klemmt). Der Transmitter geht auf «HOLD» und weitere Abläufe werden nicht ausgeführt. SPS Fehlfunktion.	Rückmelder, Steuerdruck und Stromversorgung überprüfen. Hinweis: Ist die Ursache behoben, wird der begonnene Befehl zu Ende geführt. SPS überprüfen.
Ungenügende Spülung der Elektrode	Zu geringer Wasserfluss. Spülintervall zu lang und/oder Spülzeiten zu kurz. Spülkammer verstopft. Wasserventil in der Ventileinheit klemmt.	Erhöhung des Wasserflusses (2...4 bar) oder Leitungen reinigen. Intervall am Transmitter verkürzen, Spülzeiten am EasyClean erhöhen. Elektrode und Armatur ausbauen und Spülkammer reinigen. Ventil reinigen, evtl. ersetzen.
Automatisches Reinigen startet nicht	Start der Reinigung durch den Transmitter wird vom Gerät nicht erkannt. Waschkontakt ist am Transmitter nicht aktiviert.	Verdrahtung anhand von Kapitel 4.2 «Anschlüsse» überprüfen. Waschkontakt gemäss der Anleitung des Transmitters aktivieren.
Tasten sind nicht aktiv	Ein Ablauf wird von EasyClean durchgeführt Kein Strom auf dem EasyClean. Schlechte Verbindung der Kontakte an den Tasten.	Warten bis Meldung «RUN» oder «SERVICE» im Display der SPS erscheint. Stromzuführung kontrollieren. Kontakte an den Tasten überprüfen, siehe Kapitel 4.2.
Die Leitungen werden nicht mit Luft gespült	Druckluft nicht eingeschaltet. Luftdruck ist zu niedrig. Luftventil L3 klemmt. Luftschläuche nicht richtig verlegt oder defekt. Luftventil wird nicht mit Strom versorgt.	Druckluft einschalten. Erhöhung des Druckes auf 4...6 bar. Ventil reinigen, evtl. ersetzen. Schläuche kontrollieren auf Undichtigkeit. Quetschungen der Schläuche vermeiden. Verdrahtung anhand des Kapitels 4.2 «Anschlüsse» überprüfen (EasyClean Klemme 17, rot).
Membranpumpe läuft nicht	Membranpumpe wird nicht mit Strom versorgt. Die Pumpe ist defekt.	Verdrahtung anhand des Kapitels 4.2 «Anschlüsse» überprüfen (EasyClean Klemme 21, blau). Pumpe ersetzen.

Störung	Mögliche Ursache	Behebung
Die Membranpumpe fördert wenig bis keine Flüssigkeit	<p>Membrane oder interne Rückschlagventil-Membrane verschmutzt oder defekt.</p> <p>Reinigungsventil wird nicht mit Luft versorgt.</p> <p>Reinigungsventil ist verstopft.</p> <p>Reinigungsventil ist defekt.</p> <p>Mediumschläuche defekt oder verstopft.</p>	<p>Membrankopf entfernen, Membranen reinigen oder ersetzen, siehe Kapitel 8.2.</p> <p>Verdrahtung anhand Kapitel 4.2 «Anschlüsse» überprüfen.</p> <p>Ventil demontieren und reinigen, evtl. ersetzen.</p> <p>Ersetzen.</p> <p>Schläuche kontrollieren auf Undichtigkeit. Quetschungen der Schläuche vermeiden.</p>
Transmitter geht nicht in «HOLD»-Modus	<p>Klemmenkontakt locker.</p> <p>«HOLD»- bzw. «CONTROL»-Signal wird nicht ausgelöst.</p>	<p>Verdrahtung anhand des Kapitel 4.2 «Anschlüsse» überprüfen.</p> <p>Verdrahtung am Transmitter überprüfen.</p> <p>Überprüfen, ob grüne LED in Steuereinheit auf Zusatzprint beim Wechsel von «RUN» auf «SERVICE» für 5 s–Pause–2 s leuchtet. Allenfalls Print ersetzen.</p>
Rückmelder werden nicht von EasyClean erkannt	<p>Rückmelder defekt.</p> <p>Klemmenkontakt locker.</p>	<p>Rückmelder ersetzen.</p> <p>Verdrahtung anhand des Kapitel 4.2 überprüfen. Kabel überprüfen.</p>
Bildschirm zeigt nichts an	<p>LCD Bildschirm defekt.</p> <p>Spannungsversorgung unterbrochen.</p>	<p>Steuerprint mit SPS ersetzen.</p> <p>Stromversorgung überprüfen.</p>
Alarmmeldung «Füllstand» erscheint am Display	<p>Der Durchflusssensor kann während eines Spül- und Reinigungszyklus kein Medienfluss feststellen.</p> <p>Klemmenkontakt locker.</p>	<p>Durchflusssensor überprüfen.</p> <p>Wasser- und Reinigungsmittelventil überprüfen.</p> <p>Pumpenfunktion überprüfen.</p> <p>Verdrahtung anhand des Kapitel 4.2 überprüfen. Kabel überprüfen.</p>

Fehlermeldungen (ERROR) der SPS

Error message	Cause	Remedy
TEST EEPROM TEST DISPLAY TEST CLOCK	Selbsttest abgebrochen.	Steuerprint mit SPS ersetzen.
ERROR 12C	STEUERUNG defekt.	Steuerprint mit SPS ersetzen.
ERROR: EEPROM	STEUERUNG Schaltplanspeicher ist defekt.	Steuerprint mit SPS ersetzen.
ERROR : CLOCK	Fehler der Uhr.	Steuerprint mit SPS ersetzen. Steuerprint mit SPS ersetzen.
ERROR: LCD	LCD defekt.	Steuerprint mit SPS ersetzen.
ERROR: ACLOW	Steuerung defekt.	Steuerprint mit SPS ersetzen.

7 **Ausserbetriebsetzung, Lagerung, Entsorgung**



GEFAHR

Beachten Sie Kapitel 2 «Sicherheit».

Die Ausserbetriebsetzung darf nur durch ausgebildetes Personal oder Fachkräfte vorgenommen werden.

7.1 **Ausserbetriebsetzung**

Vorgehen

- 1 Gebäudeseitige Spannungs-, Druckluft- und Wasserversorgung abstellen.
- 2 Netzanschluss vom Gerät trennen.
- 3 Vorhandene Signalleitungen abhängen.
- 4 Leitungen für Druckluft abhängen.
- 5 EasyClean von der Befestigung demontieren.
- 6 Spülen der Schläuche und des Ventiles mit Frischwasser.
- 7 Reinigung des Gerätes mit einem feuchten Lappen.
- 8 Gerät trocknen lassen.

7.2 **Lagerung**

Lagern Sie EasyClean an einem trockenen Ort gemäss den Angaben in Kapitel 1.3.

7.3 **Umweltschutz**



Elektroaltgeräte dürfen nicht zusammen mit dem Hausmüll entsorgt werden. Bitte führen Sie diese möglichst Einrichtungen zur Wiederverwertung zu. Wenden Sie sich an Ihre zuständige Behörde oder Ihren Fachhändler, um Hinweise zur Wiederverwertung zu erhalten.

8 Bestellinformation (Produkt, Ersatzteile und Zubehör)

Bei Ersatzteilbestellungen fügen Sie bitte folgende Angaben an:

- Artikelnummer des Geräts
- Seriennummer des Geräts
- Bestellnummer aus der folgenden Ersatzteilliste
- gewünschte Stückzahl.

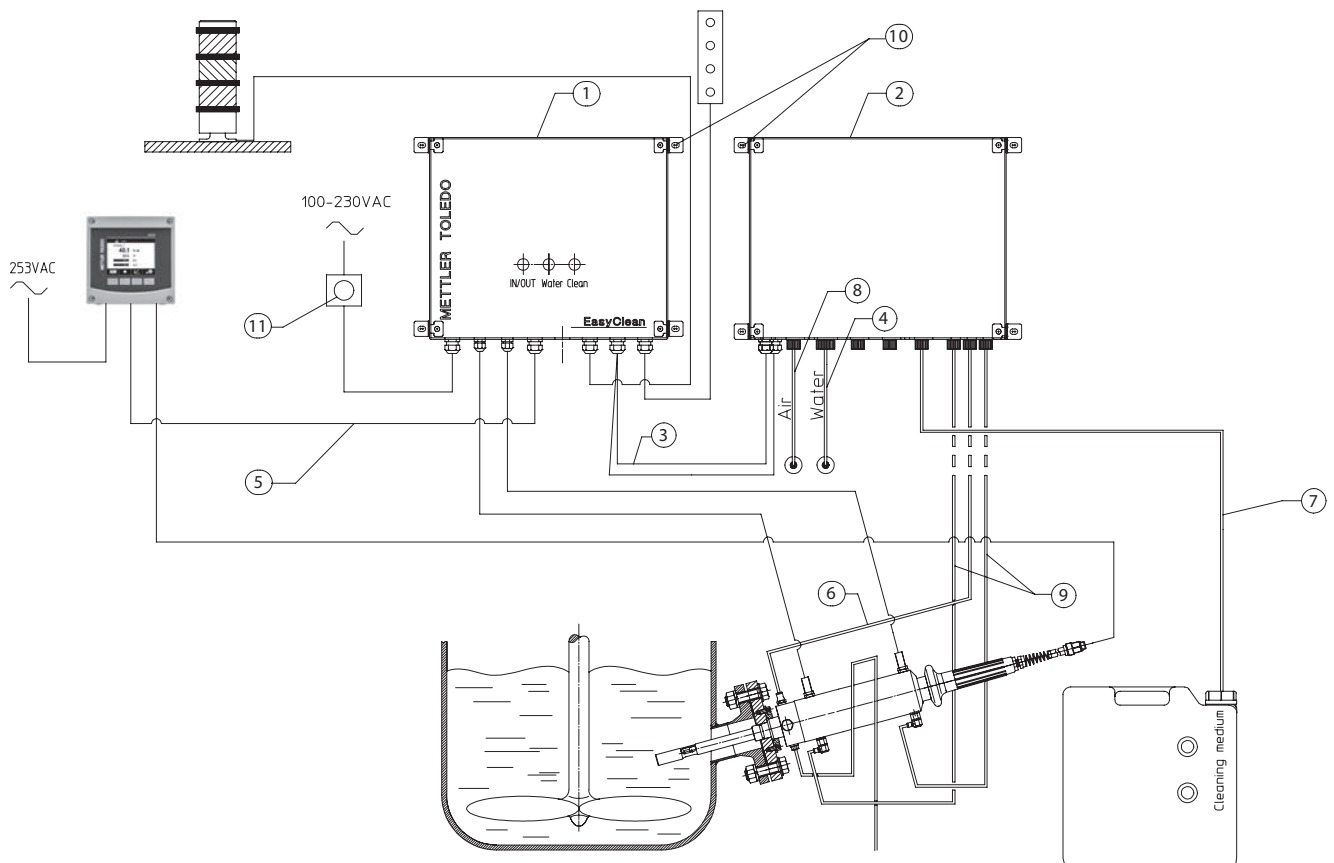
Die Hersteller- und Kundendienstanschriften finden Sie am Ende dieser Betriebsanleitung.



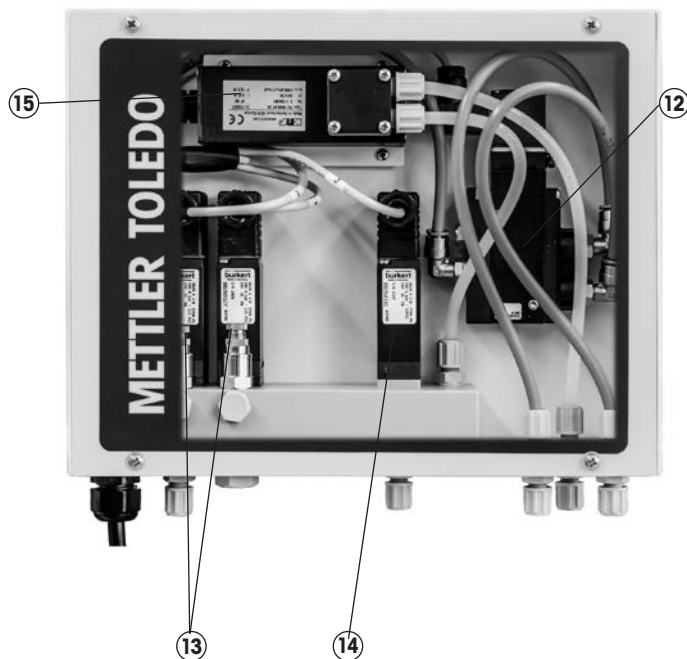
HINWEIS

Ersatzteile müssen den technischen Erfordernissen des Geräteherstellers entsprechen!
Verwenden Sie nur Originalersatzteile.

8.1 Bestellinformation für EasyClean 200 e



Ventileinheit



Der Lieferumfang von EasyClean 200 e enthält folgendes:

Nr.	Art.-Nr.	Beschreibung
1	52 403 776	EasyClean 200 e-Steuereinheit mit integriertem SPS (Speicher programmierbare Steuereinheit)
2		Ventileinheit mit Ventilen für Hydraulik und Steuerluft
3		Verbindungskabel: Steuereinheit → Ventilinsel (1,5 m)
4		Wasseranschluss: G1/4" innen oder 1/4" NPT aussen
5		Verbindungskabel: Steuereinheit → Transmitter (5 m)
6/7		Schlauch Ø 6/4 mm, Länge 10 m, Material PTFE
8/9		Schlauch Ø 6/4 mm, Länge 10 m, Material LDPE

Optionales Zubehör

Nr.	Art.-Nr.	Beschreibung
5	52 300 265	Verbindungskabel: Steuereinheit → Transmitter (5 m)
5	52 300 266	Verbindungskabel: Steuereinheit → Transmitter (10 m)
6/7	52 402 283	PTFE-Schlauch Ø 6/4 mm, 5 m
8/9	52 402 314	LDPE-Schlauch für den Druckluftanschluss, 20 m
10	52 402 306	Kit für die Wandmontage, komplett
11	52 402 317	Paniktaste (Notabschaltung)

Ersatzteile

Nr.	Art.-Nr.	Beschreibung
12	30 414 592	Luftregelventil für EasyClean 200 e
13	30 414 593	Wasser- und Luftventil für EasyClean 200 e
14	30 414 594	Reinigungsmittelventil für EasyClean 200 e
15	30 414 595	Membranpumpe für EasyClean 200 e

EasyClean 200 e

Instructions d'utilisation

Utilisation des présentes instructions d'utilisation

Les présentes instructions d'utilisation font partie intégrante de l'EasyClean™ 200 e et contiennent d'importantes directives et instructions relatives à la sécurité et à l'emploi.

Toutes les personnes qui devront travailler avec l'EasyClean 200 e devront au préalable avoir lu et compris le chapitre relatif à leur activité.

Veillez lire attentivement les présentes instructions d'utilisation avant d'utiliser le système EasyClean. Conservez ce document à proximité immédiate de l'appareil, afin de faciliter une consultation ultérieure par le personnel concerné.



Veillez lire en premier lieu le chapitre 2 « Sécurité » !

© La réimpression en totalité ou en partie de ce manuel d'instructions est interdite.

Aucune partie de ce manuel ne peut être reproduite sous quelque forme que ce soit, ni modifiée, copiée ou distribuée à l'aide de systèmes électroniques, en particulier sous la forme de photocopies, de photographies, sous forme magnétique ou tout autre type d'enregistrement, sans l'accord écrit de Mettler-Toledo GmbH, Process Analytics, CH-8902 Urdorf, Suisse.

Tous droits réservés, en particulier pour la reproduction, la traduction et l'obtention de brevets/l'enregistrement.

EasyClean et InDip sont des marques du groupe METTLER TOLEDO.

Les autres marques déposées sont la propriété de leurs détenteurs respectifs.

Table de matières

1	Description du produit	87
1.1	Introduction	87
1.2	Équipement et fourniture	87
1.3	Données et caractéristiques techniques de l'EasyClean 200 e	88
2	Sécurité	90
2.1	Introduction	90
2.2	Utilisation judicieuse	90
2.3	Utilisation non judicieuse	90
2.4	Principes de base	91
2.5	Avertissements et symboles	91
2.6	Responsabilités, mesures organisationnelles	92
2.7	Dangers spécifiques au produit	93
2.8	Dangers latents résiduels	93
2.9	Mesures en cas d'urgence	93
2.10	Mesures de sécurité	94
2.11	Modifications	94
3	Votre appareil	95
3.1	Vue d'ensemble	95
3.2	Fonctions	97
3.3	Intégration à un système de mesure	98
4	Mise en service	99
4.1	Montage	99
4.2	Raccordements	101
4.3	Mise en service	108
4.4	Essai de fonctionnement	109
4.5	Panneau de commande programmable de l'EasyClean 200 e	110
4.5.1	Panneau de commande programmable	110
4.5.2	Description du paramétrage	111
5	Fonctionnement	113
5.1	Contrôles par l'opérateur	113
5.2	Appoint de produit de nettoyage	113
5.3	Commande de l'EasyClean 200 e	113
5.4	Comportement en cas de coupure de courant ou de panne d'amenée de produits	115
6	Maintenance et dépannage	116
6.1	Maintenance	116
6.2	Dépannage et maintenance	116
7	Mise hors service, entreposage, rejet	119
7.1	Mise hors service	119
7.2	Entreposage	119
7.3	Protection de l'environnement	119
8	Informations de commande (produit, pièces de rechange et accessoires)	120
8.1	Liste des pièces de rechange et accessoires pour l'EasyClean 200 e	120

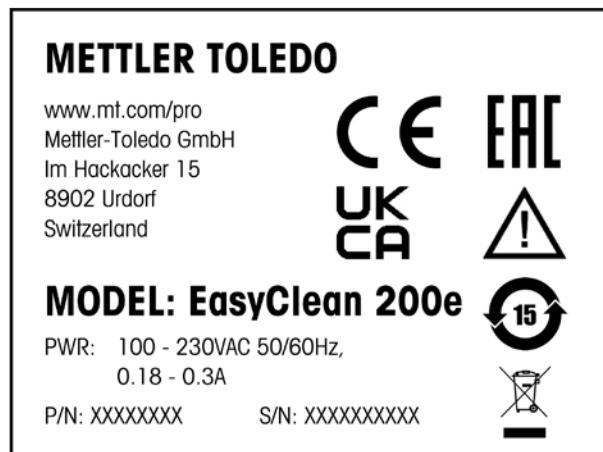
1 Description du produit

1.1 Introduction

Certificats

CE

Caractérisation



Equipement et fourniture

Fourniture

Les appareils EasyClean sont fournis sans cordon de branchement. Les cordons de branchement à prévoir par le client seront raccordés aux prises prévues à cet effet sur l'appareil (voir à ce sujet le **chapitre 4.2 « Raccordements »**).

Emballage

L'emballage est constitué de carton et de carton de rembourrage.

Conservez l'emballage en vue d'un éventuel entreposage ou d'un éventuel transport de l'appareil. Si toutefois vous souhaitez vous débarrasser de l'emballage, conformez-vous aux prescriptions locales ainsi qu'au **chapitre 7.3 « Mise au rebut adéquate de l'instrument »**.

Contrôle de la fourniture

Lors du déballage, assurez-vous de l'absence de tous dégâts. Au cas où vous en constateriez, signalez-le sans délai au transporteur et à votre fournisseur.

Vérifiez la fourniture à l'aide de votre bon de commande et des documents de livraison.

1.2 Données et caractéristiques techniques de l'EasyClean 200 e

Boîtier	en acier inoxydable, avec revêtement poudre et résine polyester Attention : ne pas nettoyer au moyen de solvants contenant de l'acétone
Poids	Module de commande : environ 3.0 kg Unité de vannes : environ 2.5 kg
Classe de protection	IP 65
Conditions ambiantes	Temp. en service : 0...+55 °C Temp. transport/entreposage : -10...+70 °C
Alimentation réseau	100...230 V AC, 50/60 Hz, 0.18...0.3 A (± 15%)
Commande système	Activation processus : via un contact de lavage du transmetteur raccordé Déroulement : via la commande programmable intégrée
Entrée de commande	1 entrée de commande pour contacts de lavage, venant du transmetteur, 24 V
Transmetteur	Transmetteur METTLER TOLEDO : – M300 Process – M400 M400 4-fils – alternativement via transmetteur avec contact de lavage et fonction « HOLD »
Branchements	Bornes de branchement 0.08...2.5 mm ²
Liaison à l'unité de vannes	Par câble de commande à 10 fils, 1.5 mm ² Longueur : 1.5 m
Liaison au transmetteur	Câble de commande 4 fils, 4 3 1.5 mm ² Longueur : 5 m
Passages de câbles	Ø 3.5...10 mm ➔ M 16 Ø 2.5...6.5 mm ➔ M 12
Amenée d'air comprimé	4...8 bar (400...800 kPa, 58...116 psi) – Qualité d'air selon ISO 8573-1 – Classe d'hygrométrie 4 (Point de rosée d'eau +3 °C) – Classe de solides 5 (filtre 40 µm) – Capacité d'huile max. classe 2 (0.1 mg/m ³) Raccord : filet G1/8"

Liaison au support rétractable	Pneumatique :	flexible LDPE Ø 6/4 mm (1/4" / 1/8") (air de commande)
	Milieu de mesure :	flexible PTFE Ø 6/4 mm (1/4" / 1/8") longueur normale du tuyau 5 m longueur max. du tuyau 10 m
Alimentation d'eau de rinçage	Pression :	2...8 bar (200...800 kPa, 29...116 psi)
	Filtre à particules :	≥ 50 µm
	Volume :	4 l/min
	Raccord :	filet G1/4" femelle
	Adaptateur :	1/4" NPT mâle (PP)
Pompe	Hauteur de refoulement :	max. 5 m
	Hauteur d'aspiration :	max. 3 m
	Débit d'alimentation :	3...5 ml/s (dépendant de la longueur du flexible et de la viscosité)
	Matériaux :	PPS (boîtier de pompe) EPDM (membrane et joints d'étanchéité)
	Raccord :	filet G1/8" femelle, polymère (PP)
Viscosité	Tous liquides 25 mPa s (25 °C)	
Matériaux en contact avec le milieu	Matériaux en contact avec :	
	– eau de rinçage :	PP, EPDM, PFTE, PPS, Ni
	– air comprimé :	PP, EPDM, PFTE, PPS, LDPU, Ni
	– Produit de nettoyage :	PP, FFKM, PTFE, EPDM, PEEK
Température de la solution	Eau :	0...80 °C, 95 °C max. 10 min/h
	Produit de nettoyage :	0...50 °C

Sous réserve de modifications techniques.

2 Sécurité

2.1 Introduction

Les instructions d'utilisation contiennent les informations essentielles pour assurer une utilisation efficace et judicieuse de l'EasyClean 200 e. Un prérequis indispensable à une manipulation sûre et à un bon fonctionnement est la connaissance de ces consignes de sécurité et l'observance des autres mises en garde des présentes instructions d'utilisation.

Les présentes instructions d'utilisation, et en particulier les consignes de sécurité, doivent être scrupuleusement respectées par l'exploitant et par toutes les personnes susceptibles de travailler avec l'EasyClean 200 e. Il y a lieu, en outre, de se conformer aux réglementations locales du site d'utilisation et aux prescriptions légales.

Les instructions d'utilisation doivent toujours être conservées à portée de main et être accessibles à toute personne travaillant avec l'EasyClean 200 e.

2.2 Utilisation judicieuse

L'EasyClean 200 e est exclusivement destiné au rinçage et au nettoyage, automatiques ou manuels, d'électrodes sur supports rétractables, et ceci de la manière décrite dans les présentes instructions.

Une utilisation judicieuse et responsable englobe en outre les éléments suivants :

- le respect des recommandations, prescriptions et directives des présentes instruction d'utilisation.
- le respect des intervalles d'inspection et d'entretien prescrits
- une maintenance correcte du système.
- l'utilisation conformément aux conditions d'environnement et d'emploi prescrites, ainsi qu'aux positions de montage admissibles.
- le respect de la législation locale.

2.3 Utilisation non judicieuse

Toute autre utilisation autre que celles mentionnées ci-dessus, ainsi que toute application ne correspondant pas aux caractéristiques techniques, sont à considérer comme non judicieuses. L'utilisateur assume tous les risques quant à tous dégâts qui seraient imputables à une telle utilisation.

Les applications suivantes sont en particulier à prohiber :

- utilisation de fluides hydrauliques au lieu d'air comprimé
- utilisation de suspensions comme produits de nettoyage
- utilisation du saler l'acide > 10%.

2.4 Principes de base

L'EasyClean 200 e est construit conformément à l'état de la technique et aux règles de sécurité reconnues.

Les appareils peuvent toutefois poser certains risques et dangers :

- lorsqu'ils sont utilisés par des personnes insuffisamment formées.
- lorsqu'ils ne sont pas utilisés conformément aux prescriptions.
- lorsque les inspections périodiques des appareils ne sont pas ou ne sont que partiellement effectuées.

L'EasyClean 200 e ne peut être utilisé que s'il est en parfait état technique, conformément aux prescriptions, dans un souci de sécurité et en étant conscient des dangers, et selon les consignes des instructions d'utilisation.

Tous dérangements ou dégâts qui compromettraient la sécurité et le fonctionnement doivent être immédiatement réparés par l'utilisateur ou par un spécialiste, et signalés par écrit au constructeur !

2.5 Avertissements et symboles

Les présentes instructions d'utilisation utilisent les symboles suivants pour caractériser les consignes de sécurité :



DANGER

Cet avertissement concerne un danger susceptible d'entraîner d'importants dégâts matériels, des lésions corporelles graves ou même mortelles.



ATTENTION

Cet avertissement signale une situation potentiellement dangereuse pouvant entraîner des lésions corporelles et/ou des dégâts matériels légers.



REMARQUE

Cette information attire l'attention sur des impératifs techniques. Sa non observance peut déboucher sur des pannes, un défaut d'économie et éventuellement des pertes de production.

2.6 Responsabilités, mesures organisationnelles

Obligations de l'utilisateur

- L'utilisateur s'engage à ne laisser utiliser l'EasyClean que par des personnes familiarisées avec les prescriptions de base sur la sécurité du travail et la prévention des accidents, et affectées à la manipulation de l'appareil. Les présentes instructions d'utilisation font à cet effet office de Guide pratique.
- Outre les instructions d'utilisation, l'utilisateur assurera la mise à disposition et l'instruction des réglementations légales généralement en vigueur et des autres réglementations contraignantes en matière de sécurité du travail et de prévention des accidents, ainsi que de protection de l'environnement.
- La conscience du personnel quant à la sécurité et aux dangers doit être contrôlée à intervalles réguliers.
- Toutes les mesures nécessaires doivent être prises afin que l'EasyClean ne soit utilisé qu'en parfait état de marche et en toute sécurité.

Obligations du personnel

- Toutes les personnes chargées de travailler sur ou avec l'EasyClean doivent lire les prescriptions de sécurité et les avertissements des présentes instructions d'utilisation.
- Outre les présentes instructions d'utilisation, le personnel respectera les réglementations légales généralement en vigueur et les réglementations en matière de sécurité du travail et de prévention des accidents.
- Toute méthode de travail suspecte au niveau de la sécurité et ne correspondant pas à une utilisation judicieuse de l'appareil est à proscrire.

Sélection et qualification du personnel – obligations de base

- Toute opération sur l'EasyClean doit être exclusivement effectuée par un personnel fiable, disposant d'une formation ou d'une instruction adéquate. Le personnel d'opération devra au préalable avoir lu attentivement les présentes instructions d'utilisation.
- Les compétences du personnel en ce qui concerne la commande, l'entretien, la maintenance etc. doivent être clairement définies.
- Il y a lieu de s'assurer que seul le personnel mandaté à cet effet effectue des activités sur l'appareil.
- Le personnel en formation, à former ou relevant d'une formation générale ne peut travailler sur l'appareil que sous la surveillance constante d'une personne expérimentée.
- Tous travaux sur l'équipement électrique de l'appareil seront exclusivement effectués par un électricien spécialisé et conformément aux règles de l'art électrotechniques.

Modifications structurelles de l'appareil

- Aucune modification, addition ni transformation de nature à affecter la sécurité ne peut être entreprise sans l'accord écrit de Mettler-Toledo GmbH, Process Analytics.
- Tous les composants qui ne seraient pas en parfait état doivent être remplacés sans délai.

2.7 Dangers spécifiques au produit



DANGER

Dangers dus à l'énergie électrique !

Si l'appareil doit être ouvert à des fins de travaux d'installation et/ou de réparation, les éléments sous tension doivent être déconnectés.

Refermer l'appareil dès que les travaux sont terminés !



DANGER

Dangers dus à l'eau/air sous pression !

S'il y a lieu d'ouvrir des lignes sous pression (air comprimé, eau de lavage), elles doivent être isolées et dépressurisées avant le début des travaux !

2.8 Dangers latents résiduels



DANGER

Même si toutes les précautions ont été prises, il subsiste des dangers latents tel que, par exemple :

- l'éclatement d'une canalisation.
- les dangers suscités par un dérangement d'une commande d'un niveau supérieur.

2.9 Mesures en cas d'urgence



DANGER

En cas de projection de liquide dans les yeux, rincer abondamment à l'eau courante pendant au moins 15 minutes. Consulter un médecin aux fins de contrôle.

En cas de contact avec la peau, rincer immédiatement à l'eau.

Une assistance médicale est dans tous les cas nécessaire en cas de symptômes manifestement imputables au contact d'un fluide avec la peau ou les yeux. Indiquer au médecin la nature et les caractéristiques de toutes les substances utilisées.

2.10 Mesures de sécurité

Les législations et prescriptions locales doivent être strictement respectées à tout moment. Elles ne font pas partie intégrante des présentes instructions d'utilisation.

Le port d'un équipement de protection personnelle, tel que des lunettes de sécurité et un vêtement de protection, est impératif.

L'appareil ne peut être utilisé qu'à l'état fermé.

L'utilisateur est responsable de la formation de son personnel. A titre de guidance, les présentes instructions d'utilisation peuvent être commandées en différentes langues. Elles font partie intégrante de l'appareil et doivent en tous temps être disponibles au site d'exploitation de ce dernier.

L'utilisateur informera immédiatement le constructeur de tous les événements qui se produiraient dans le contexte de la sécurité lors de l'utilisation de l'appareil.

2.11 Modifications

Aucune modification ne peut être effectuée sans consultation et accord écrit préalable du constructeur.

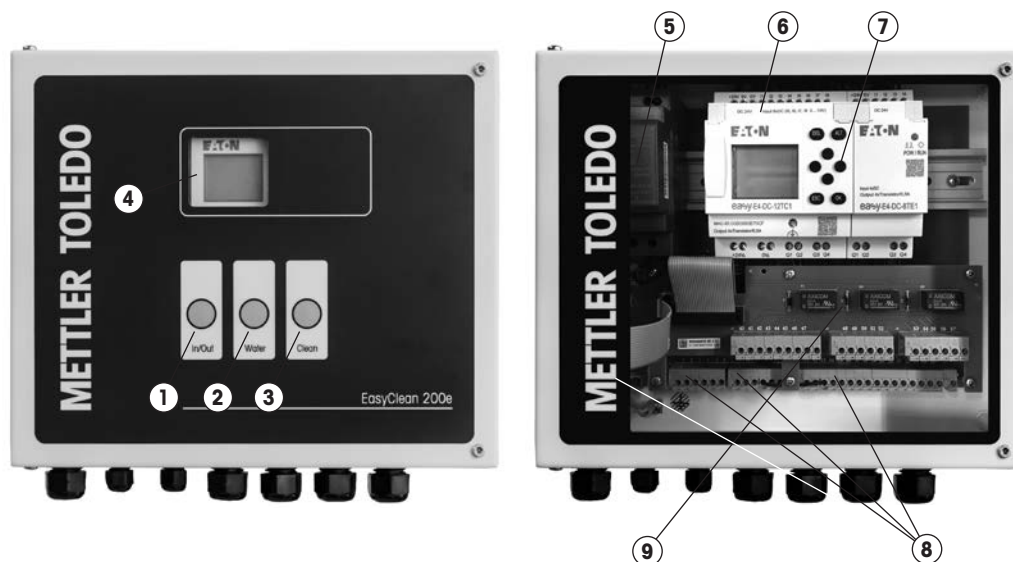
Seuls les composants indispensables pour assurer le fonctionnement de l'appareil peuvent être installés et démontés. Ne jamais déposer de dispositifs de sécurité ni de couvercles en utilisant des outils du commerce, sauf moyennant l'autorisation du service technique autorisé. Tout contact avec des éléments sous tension constitue un danger mortel.

3 Votre appareil

3.1 Vue d'ensemble

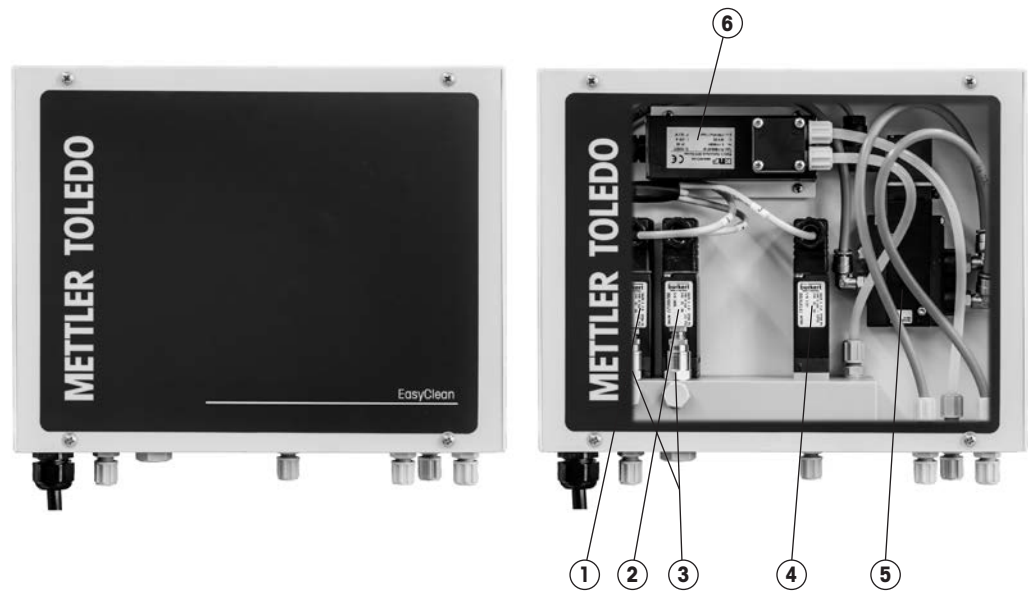
Unité de commande

EasyClean 200 e



- | | | | |
|---|--|---|---------------------------------------|
| 1 | Touche « In/Out » (commande de support) | 6 | Microprocesseur |
| 2 | Touche « Water » (rinçage marche/arrêt) | 7 | Partie de commande microprocesseur |
| 3 | Touche « Clean » (nettoyage marche/arrêt) | 8 | Bornes de raccordement |
| 4 | Affichage d'information | 9 | Carte de circuits imprimés à distance |
| 5 | Bloc secteur | | |

Unité de vannes (figure indique unité de vannes EasyClean 200 e)



- 1 Vanne d'air comprimé
- 2 Vanne d'eau
- 3 Vanne de réduction de pression

- 4 Vanne pour produit de nettoyage
- 5 Vanne de commande du support
- 6 Pompe à diaphragme

3.2 Fonctions

Généralités

L'EasyClean 200 e est conçu pour le rinçage et le nettoyage automatiques d'électrodes sur supports rétractables.

L'EasyClean est fourni avec un programme de rinçage et de nettoyage prédéfini. Les durées de rinçage et de nettoyage peuvent être adaptées par l'utilisateur aux circonstances particulières du site.

Le déclenchement des différents processus se fait par activation du contact de lavage du transmetteur raccordé.

Une commande programmable intégrée commande l'ensemble du déroulement du rinçage et du nettoyage.

Modes de fonctionnement

L'EasyClean ne dispose pas d'un interrupteur général et est toujours en état actif.

Paramétrage de base

Lorsque l'EasyClean 200 e est coupé, l'électrode est rétractée du milieu de travail.

Lorsque l'EasyClean 200 e est relié au secteur, le support et le capteur passent en position de mesure.

Le message « RUN » s'affiche à l'écran. L'EasyClean est prêt à l'emploi.

Fonction de maintien (HOLD)

La fonction de « MAINTIEN » est une fonction du transmetteur. Cette fonction retient les valeurs de mesure du capteur pendant un cycle de travail de l'EasyClean.



REMARQUE

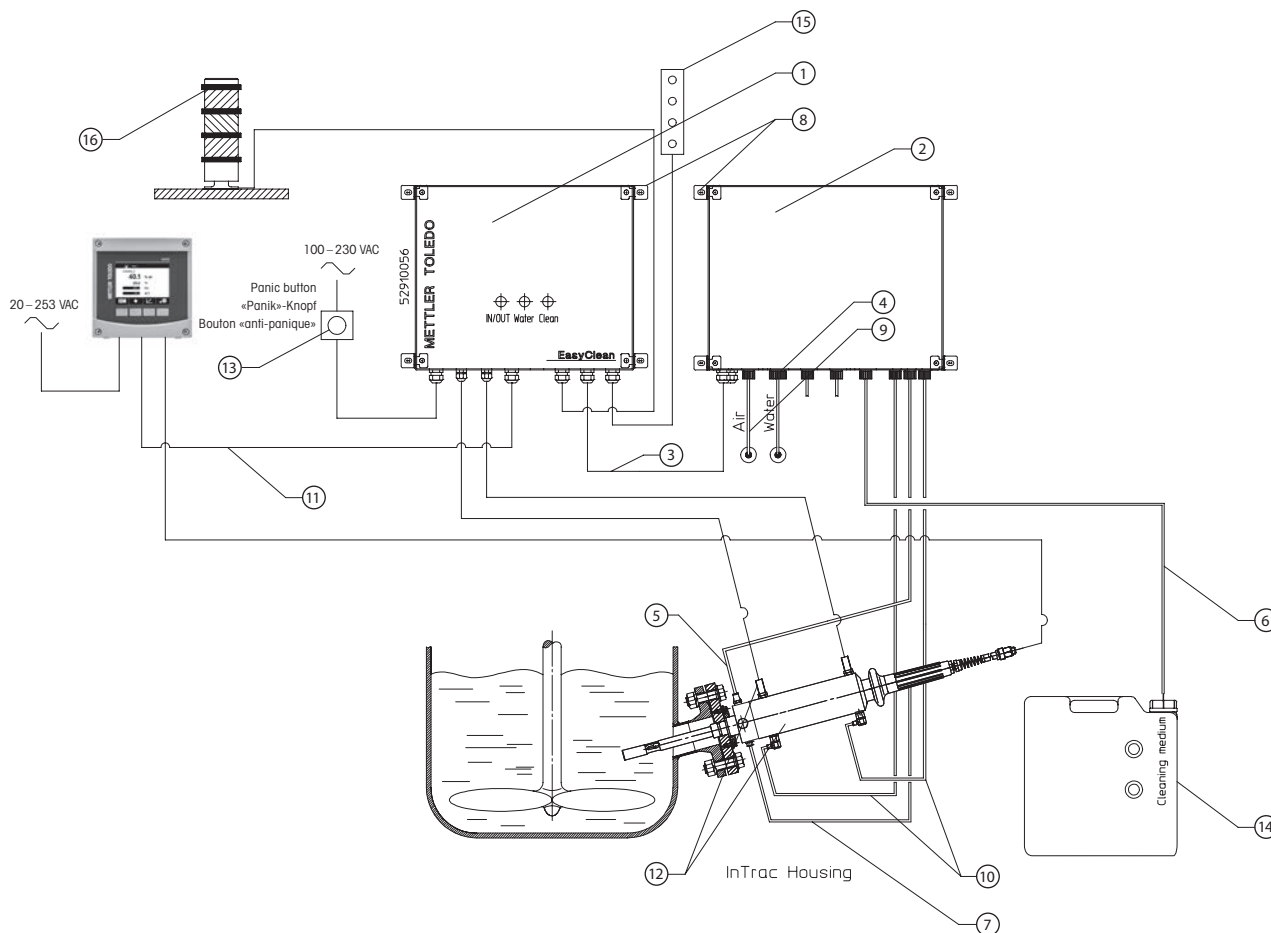
Lorsque le transmetteur est utilisé en régulation avec points de fin de course, une fonction de « MAINTIEN » est absolument indispensable. Les signaux qui peuvent être mesurés via le nettoyage par un acide ou une base pourraient sans cela activer la commande du transmetteur.

Messages

La commande intégrée est munie d'un affichage. Celui-ci indique l'état fonctionnel en cours de la commande.

3.3 Intégration à un système de mesure

Le schéma ci-après est un exemple type d'intégration de l'EasyClean 200 e à un système de mesure.



EasyClean 200 e

- 1 Unité de commande
- 2 Unité de vannes
- 3 Câble de commande unité de commande > unité de vannes
- 4 Connection de l'eau
- 5 Flexible de l'écoulement d'eau
- 6 Flexible de connection unité de vannes > produit de nettoyage
- 7 Flexible de connection unité de vannes > support retractable
- 8 Fixation murale
- 9 Flexible d'air comprimé entrée
- 10 Flexibles d'air comprimé
- 11 Câble de commande transmetteur > unité de commande
- 12 Set pneumatique pour support retractable
- 13 Interrupteur d'arrêt d'urgence (option)
- 14 Bidon de produit de nettoyage
- 15 Commande à distance
- 16 Témoin d'alarme

4 Mise en service



DANGER

Voir le chapitre 2 « Sécurité ».

Tous travaux aux composants électriques du système ne peuvent être effectués que par un personnel qualifié et autorisé.

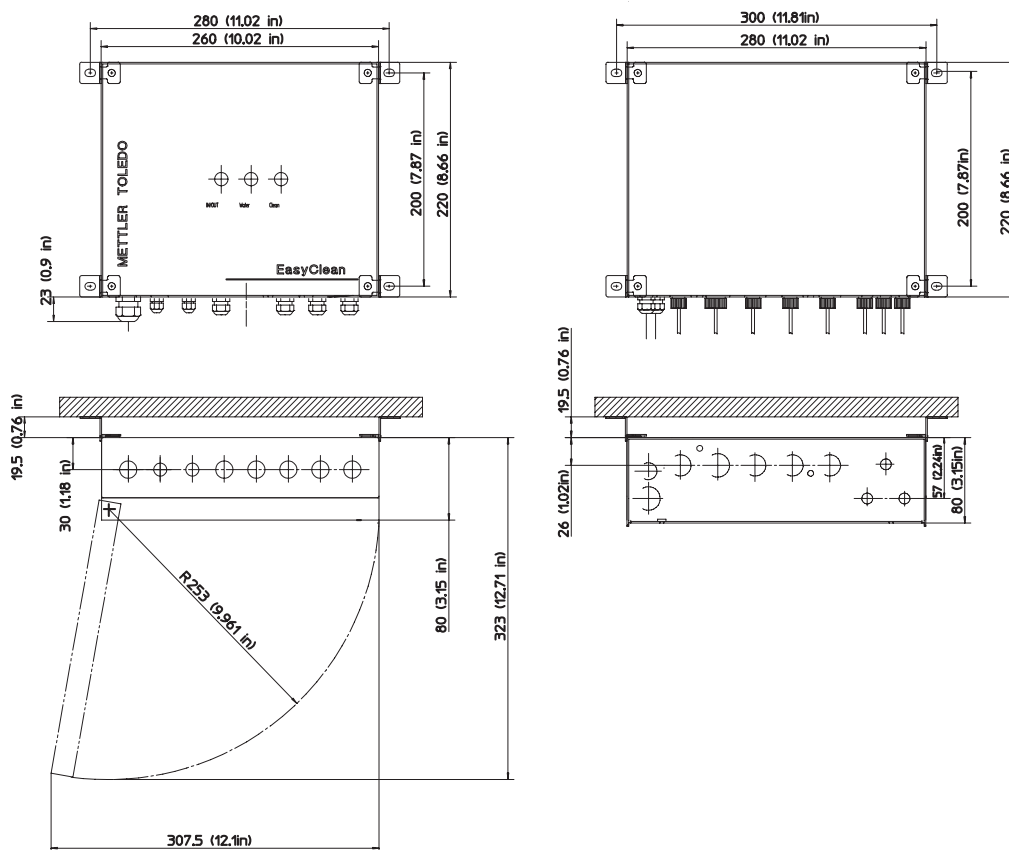
4.1 Montage

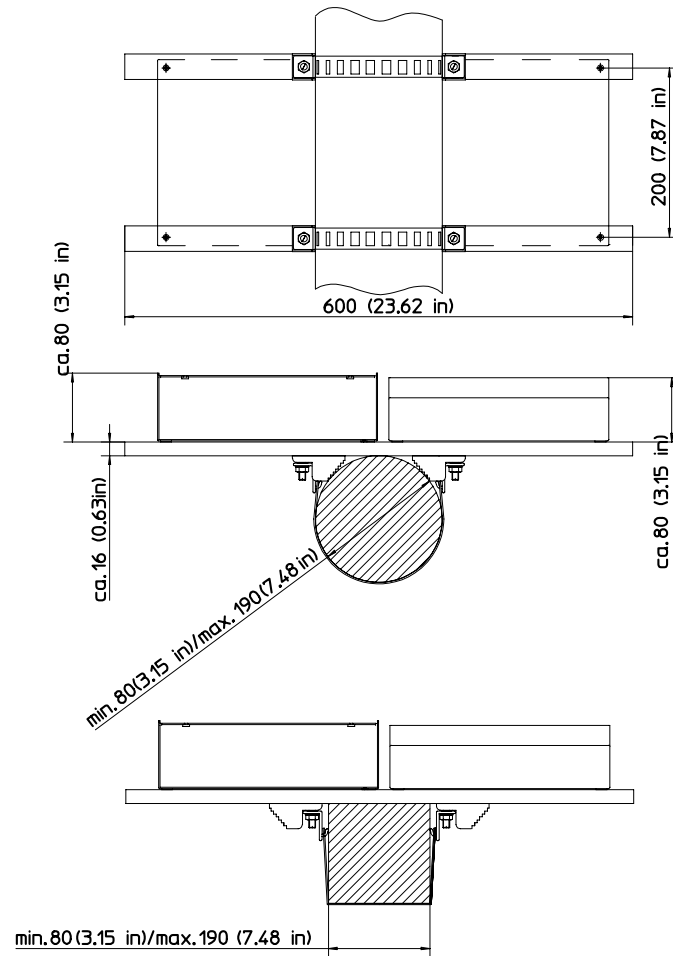
L'EasyClean 200 e est prévu pour montage direct (rail en C), mural ou sur poteaux.

Le site de montage doit présenter une résistance suffisante et être autant que possible à l'épreuve des vibrations.

Veiller à des longueurs minimales de lignes.

Montage mural



Montage sur poteau**REMARQUE**

Pour la procédure exacte de montage de la suspension, se reporter à la brochure d'installation fournie à part.

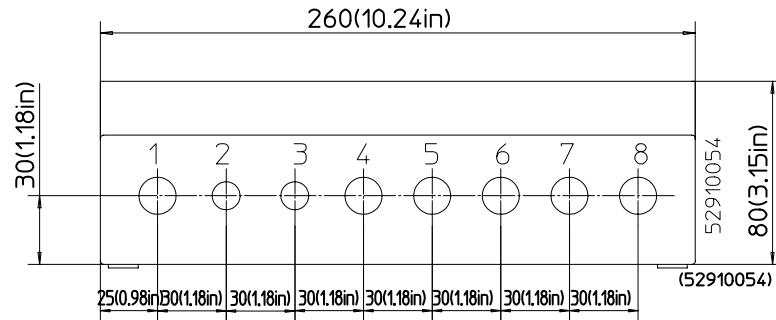
4.2 Raccordements



ATTENTION

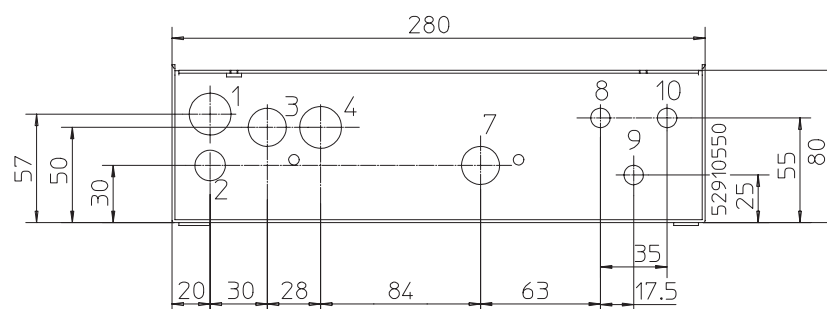
S'assurer, avant de procéder au raccordement, que les valeurs de raccordement selon le chapitre 1.3 « Données et caractéristiques techniques » sont bien conformes.

Raccordements au bas du boîtier de l'unité de commande



- 1 Passage du câble secteur, M 16
- 2 Indicateur de position du support « AVANCE »
- 3 Indicateur de position du support « ARRIERE »
- 4 Passage câble de commande du transmetteur M 16
- 5 Réserve
- 6 Passage témoin d'alarme M 16
- 7 Passage câble de commande de l'unité de vannes M 16
- 8 Réserve

Raccordements au bas du boîtier de l'unité de vannes



- 1 Passage câble de commande de l'unité de commande M 16 (déjà monté)
- 2 Passage câble du capteur de débit M 12 (en option)
- 3 Entrée d'air comprimé (flexible \square 6/4 mm)
- 4 Entrée d'eau G1/4" femelle (adaptateur pour « NPT & mâle »)
- 7 Entrée produit de nettoyage (flexible PTFE \varnothing 6/4 mm, blanc)
- 8 Sortie d'air comprimé du support « Service » (flexible LDPE \varnothing 6/4 mm, noir)
- 9 Sortie de fluide (flexible PTFE \varnothing 6/4 mm, blanc)
- 10 Sortie d'air comprimé du support « Mesure » (flexible LDPE \varnothing 6/4 mm, noir)

**REMARQUE**

Il est avantageux que le client installe une vanne d'arrêt d'eau et d'air comprimé à proximité de l'EasyClean 200 e. Ceci facilitera les travaux d'entretien tout en augmentant la sécurité de travail lors du montage et du démontage de l'appareil.

L'alimentation d'air comprimé doit fournir au moins de 4 bar.

L'air comprimé doit être **exempt d'eau et d'huile, et filtré.**

Respecter les prescriptions locales en matière d'installations pneumatiques et de distribution d'eau.

Raccordements du support à immersion

Pour l'installation sur support rétractable, se reporter au mode d'emploi correspondant du support.

Raccordements électriques

L'EasyClean 200 e est conçu pour le transmetteur METTLER TOLEDO comme décrit au chapitre 1.3. Se reporter au mode d'emploi correspondant pour l'installation correcte sur un autre transmetteur.

**DANGER**

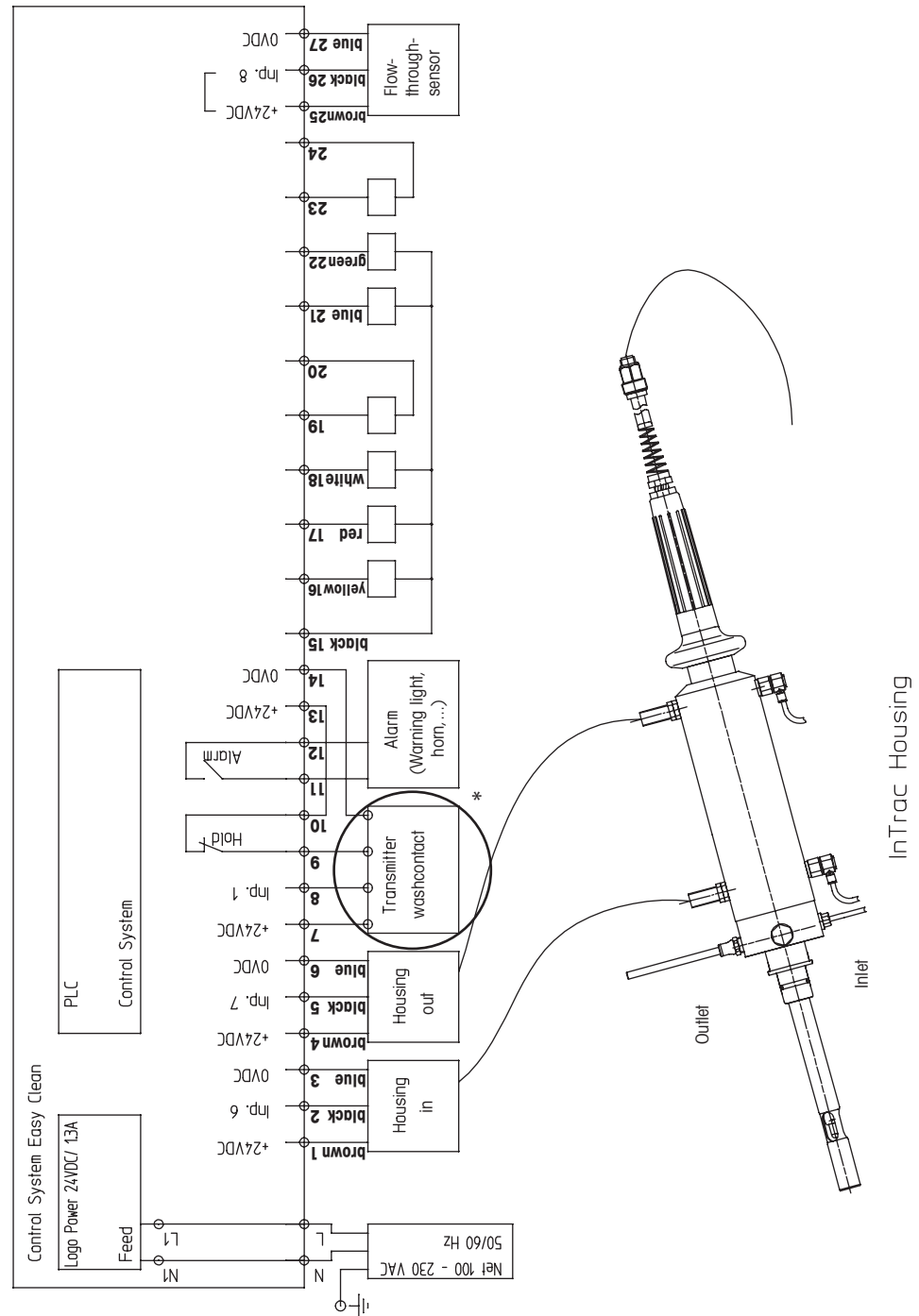
Le raccordement au secteur ne peut être réalisé que par un personnel spécialisé et autorisé, selon les règles de l'art électrotechniques.

Pour le raccordement au secteur par le client, on se conformera également aux prescriptions locales.

**REMARQUE**

Le disjoncteur de protection doit être intégré dans l'installation électrique et monté à proximité de l'EasyClean.

Raccordements électriques EasyClean 200 e



* Pour le raccordement du transmetteur veuillez voir les détails ci-après.

Raccordement aux transmetteurs

Transmetteur M300 G2 Process

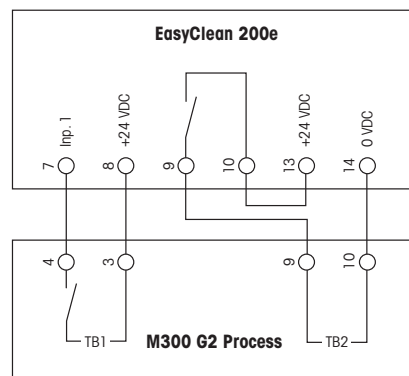


REMARQUE

Mettre un pont entre les bornes 10 et 13 sur l'EasyClean 200 e.

Réglez le relais n° 2 par exemple sur le transmetteur pour rincer le contact.

Définissez la durée de rinçage sur 5 secondes sur le transmetteur M300 et déterminez l'intervalle de rinçage en fonction des exigences du procédé. De plus, définissez la durée de rinçage (T2) et le temps de séjour pour le produit de nettoyage (T3) sur l'EasyClean 200 e.



Transmetteur M300

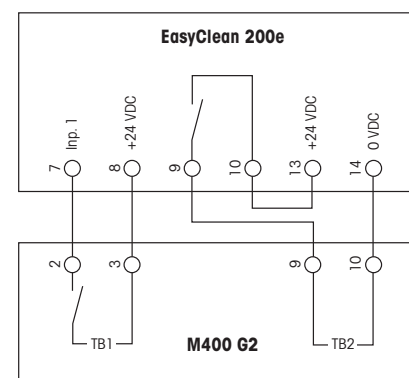


REMARQUE

Mettre un pont entre les bornes 10 et 13 sur l'EasyClean 200 e.

Réglez le relais n° 1 par exemple sur le transmetteur pour rincer le contact.

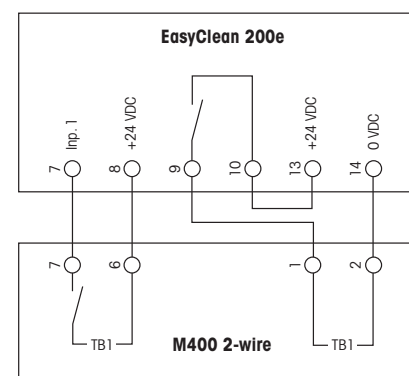
Définissez la durée de rinçage sur 5 secondes sur le transmetteur M300 et déterminez l'intervalle de rinçage en fonction des exigences du procédé. De plus, définissez la durée de rinçage (T2) et le temps de séjour pour le produit de nettoyage (T3) sur l'EasyClean 200 e.



Transmetteur M400 2-fils

Réglez OC1 et l'entrée numérique 1, par exemple, sur le transmetteur M400 HART à 2 fils pour rincer le contact.

Définissez la durée de rinçage sur 5 secondes sur le transmetteur et déterminez l'intervalle de rinçage en fonction des exigences du procédé. De plus, définissez la durée de rinçage (T2) et le temps de séjour pour le produit de nettoyage (T3) sur l'EasyClean 200 e.



Transmetteur M800

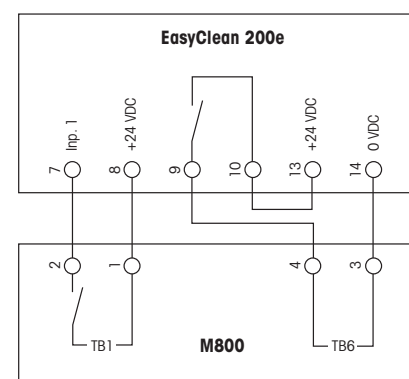


REMARQUE

1. M800 version mélange à 1 voie, veuillez remplacer TB6 par TB5.
2. Le M800 Profinet et Ethernet/IP ne prennent pas en charge la fonction de nettoyage.

Réglez le relais n° 2 et l'entrée numérique 1, par exemple sur le transmetteur M800 2/4 voies pour rincer le contact.

Définissez la durée de rinçage sur 5 secondes sur le transmetteur et déterminez l'intervalle de rinçage en fonction des exigences du procédé. De plus, définissez la durée de rinçage (T2) et le temps de séjour pour le produit de nettoyage (T3) sur EasyClean 200 e.



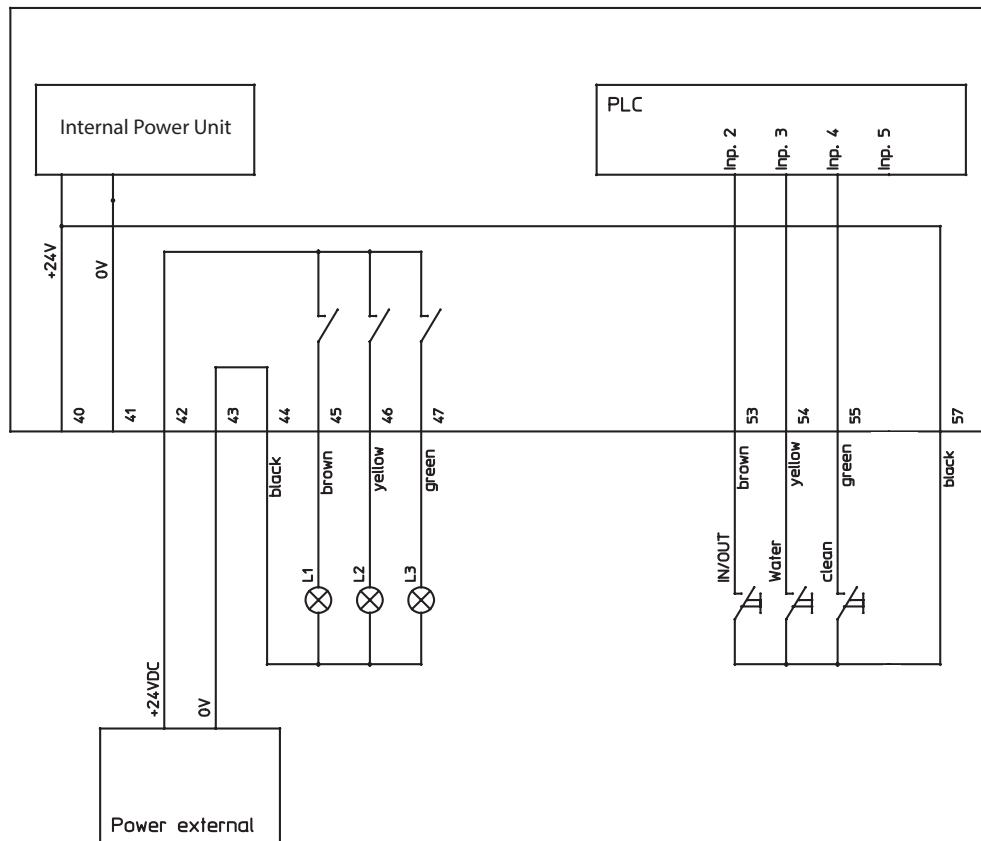
Affectation des bornes de la carte de commande

Branch. n°	Fonction	Désignation	Couleur du câble	Branch. avec
1	Signal de position support avant	+24 V DC	brun	—
2	Signal de position support avant	inp. 6	noir	—
3	Signal de position support avant	0 V DC	bleu	—
4	Signal de position support arrière	+24 V DC	brun	—
5	Signal de position support arrière	inp. 7	noir	—
6	Signal de position support arrière	0 V DC	bleu	—
7	Contact de lavage transmetteur	+24 V DC	—	—
8	Contact de lavage transmetteur	inp. 1	—	—
9	Transmetteur	maintien	—	—
10	Transmetteur	maintien	—	—
11	Alarme	—	—	—
12	Alarme	alarme	—	—
13	Alarme	+24 V DC	—	—
14	Alarme	DVDC	—	—
15	Module vanne / clapet de rétrac.	—	noir	vanne R7
16	Module vanne / support	—	jaune	vanne A8
17	Module vanne / air	—	rouge	vanne L3
18	Module vanne / eau	—	blanc	vanne W4
19	n.c.	—	—	—
20	n.c.	—	—	—
21	Module vanne / pompe	—	bleu	vanne P9
22	Module vanne/nettoyage	—	vert	vanne R7
23	n.c.	—	—	—
24	n.c.	—	—	—
25	Niveau	+24 V DC	brun	—
26	Niveau	inp. 8	noir	—
27	Niveau	DVDC	bleu	—
SL	Conducteur de protection	terre	client	carrosserie
N	Neutre	alim. élec.	client	logo tension
L	Courant	alim. élec.	client	logo tension

**REMARQUE**

Pour l'utilisation externe d'un message d'alarme de l'EasyClean (voyant d'avertissement, corne ou autres avertisseurs externes), on peut prélever un signal de 24 V à partir des bornes 13 et 14. Reliez la borne 12 avec la borne 13. Connectez les bornes 11 et 14 avec le signal d'alarme.

Connexions électriques de la carte de circuits imprimés à distance



Chargement des bornes de la carte de circuits imprimés à distance

Branch. n°	Fonction	Désignation	Branch. avec
40	Alimentation EasyClean 200 e	+24 V int.	—
41	Alimentation EasyClean 200 e	0 V interne	—
42	Alimentation externe	+24 V	—
43	Alimentation externe	0 V	—
44	Témoin d’alarme triple	Commun	43 (pont)
45	Témoin d’alarme triple « Exploitat. »	L1	1 (témoin)
46	Témoin d’alarme triple « Service »	L2	2 (témoin)
47	Témoin d’alarme triple « Alarme »	L3	3 (témoin)
53	Commande à distance	B	—
54	Commande à distance	S	—
55	Commande à distance	R	—
56	Commande à distance	K	—
57	Commande à distance	+24 V	—



REMARQUE

Si le voyant d’alarme doit être alimenté par l’alimentation EasyClean, relier ensemble les bornes n° 40 et 42 ainsi que n° 41 et 43.

4.3 Mise en service

- 1 Monter l'EasyClean 200 e sur un mur ou un poteau, de manière que les raccordements soient dirigés vers le bas (voir le chapitre 4.1 « Montage »).
- 2 Installer les raccordements (voir le chapitre 4.2 « Raccordements »).
 - Aménée d'air comprimé
 - Raccordement d'eau de rinçage à assurer par le client
 - Lignes pneumatiques et de rinçage entre l'EasyClean et le support rétractable (les flexibles pneumatiques sont des accessoires en option)
 - Raccordement du récipient pour produit de nettoyage
 - Ligne de signal vers transmetteur



REMARQUE

Les lignes doivent être purgées à l'air comprimé et, en cas d'instabilité, être fixées par exemple au moyen de colliers de serrage.

- 3 Contrôle avant mise en service :
 - L'air comprimé, l'eau de rinçage et la vidange sont-ils correctement raccordés ?
 - Le support rétractable et l'armature sont-ils installés et raccordés conformément aux modes d'emploi ?
 - Tous les raccords à visser non utilisés sont-ils obturés par des bouchons ?
 - Le produit de nettoyage est-il bien chargé dans les récipients ?
 - Tous les raccordements par flexibles sont-ils correctement installés ?
- 4 Première mise en service
Lorsque le transmetteur, l'eau, l'air comprimé et le produit de nettoyage ont été correctement raccordés, l'EasyClean peut être raccordé au secteur.

Brancher le câble secteur :

Bornes de câbles pour fils N et L



Pour connecter la masse avec la terre veuillez utiliser la cosse à profil plat jointe à l'EasyClean.

Lorsque l'EasyClean est raccordé au secteur, le support et le capteur passent en mode « Position de mesure ».

4.4 Essai de fonctionnement



REMARQUE

A l'état hors tension, le capteur est retiré du processus.

Les fonctions de **rinçage** et **nettoyage**, ainsi que les fonctions des **capteurs de supervision**, peuvent être testées sans le transmetteur.

Lorsque les opérations décrites au chapitre 5.3 ont été exécutées avec succès, le système est prêt au fonctionnement. En cas de problème de fonctionnement, se reporter au chapitre 6.2 « Dépannage ».

Test du signal de position du support

- 1 Tous les câbles de signalisation de position doivent, pour l'essai, être déconnectés des bornes de raccordement
N° 1, 2, 3 (avant)
N° 4, 5, 6 (arrière)
- 2 Env. 12 secondes après le débranchement des indicateurs de position, l'écran affiche un message d'alarme : « Armatur, Housing, Armature ».
- 3 Lorsque ce message est affiché, les câbles peuvent être rebranchés sur les bornes correspondantes.

Essai de l'option « sonde de débit » (uniquement si installée)

- 1 Débrancher tous les raccordements des bornes pour procéder à l'essai.
N° 25, 26, 27 (Niveau)
- 2 Appuyer sur la touche « Water » pour lancer un cycle de rinçage manuel.
- 3 Le message « Füllstand, Check Levels, Niveau » s'affiche après 12 secondes à l'écran de la commande. Le message « Füllstand, Check Levels, Niveau » peut être réinitialisé par pression simultanée sur les touches « In/Out » et « Water ».



REMARQUE

Tous les cycles peuvent être interrompus par réinitialisation (pression simultanée sur les touches « **In/Out** » et « **Water** »). L'EasyClean effectue alors un cycle de rinçage. Le support se place toujours ensuite en position de service.



REMARQUE

Pendant l'essai de fonctionnement, vérifier si tous les raccordements par flexibles sont bien étanches et solidement fixés.

La fonctionnalité du support peut être vérifiée par pression sur la touche « **In/Out** ».

Vérifier le déroulement du rinçage et du nettoyage à l'aide du cycle de programme, en appuyant sur la touche correspondante (« **Water** » ou « **Clean** »).

4.5 Panneau de commande programmable de l'EasyClean 200 e

4.5.1 Panneau de commande programmable



DANGER

Pour accéder au panneau de commande programmable, il faut ouvrir le couvercle de l'habillage.

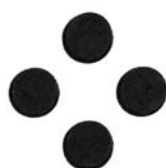
Le couvercle ne doit être ouvert que par un personnel autorisé et expérimenté.

Fonctions des touches



« DEL » Aucune fonction en état normal

« Alt » Aucune fonction en état normal



« OK » Passage au niveau de menu suivant
Appel d'une rubrique de menu
Enregistrement d'entrées

« ESC » Revenir au niveau de menu précédent



« ▲ », « ▼ » Sélectionner /changer de rubrique de menu et spécifier des valeurs

« ◀ », « ▶ » Changer nombres

Appel de menu / Rubriques de menu

Appuyer sur « OK ». La sélection en cours clignote à l'affichage.

Rubrique **STOP**



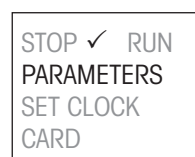
Affichage **STOP**

La commande programmable est prêt au fonctionnement. Le programme est actif.

Affichage **RUN**

La commande programmable est inactif. Aucun cycle ne peut être lancé.

Rubrique **PARAMETRES** (« **PARAMETERS** »)



Ce sous-menu permet de modifier les temps de rinçage et de nettoyage. La touche «▲» ou «▼» (au centre) permet de trouver et d'ajuster les temps de nettoyage et de rinçage.

T1 = Prolongation du maintien (HOLD)

C3 = Temps de circulation

T2 = Temps de rinçage (eau) du nettoyage

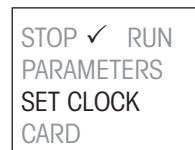
C5 = Temps de circulation

T3 = Temps de séjour (produit de nettoyage)

« Intermédiaire »

Seuls les cinq paramètres peuvent être modifiés.

Rubrique **HEURE** (« **SET CLOCK** »)



Cette rubrique permet de régler l'heure. L'heure spécifiée n'influence pas la fonction de l'EasyClean.

4.5.2 Description du paramétrage

Paramètres réglables de l'EasyClean 200 e

Les réglages d'origine sont pour une installation générale. Pour optimiser le temps de fonctionnement, la consommation de produit nettoyant et l'effet du nettoyage, régler les variables en conséquence. Seules les cinq variables listées ci-dessous peuvent être modifiées. Le reste du programme est immuable.

Désignation	Var.	Description	Défaut	Plage
Prolongement de maintien (HOLD)	T1	Temps de retard entre la fin d'un programme / cycle et le début de la transmission de valeurs par le transmetteur. Ce délai garantit que le signal d'électrode et donc la valeur de la première mesure est stable lorsque la fonction maintien est inactivée.	20 s	0...2 min
Temps de rinçage	T2	Durée du rinçage à l'eau de la chambre de rinçage. Peut être activée en pressant sur la fonction « Water » et sera automatiquement activée avant un « Clean » (nettoyage). Garantit un rinçage complet de la chambre de rinçage.	1 min	0...2 min
Temps de séjour du produit nettoyant	T3	Temps de séjour / traitement du produit nettoyant pour obtenir un résultat optimal de nettoyage.	1 min	0...5 min
Temps de circulation du produit nettoyant ¹	C3	Temps de circulation du produit nettoyant. Ce paramètre dépend de la longueur du tube entre l'unité de vannes et le support et du support lui-même (capacité de la chambre de rinçage).	30 s.	10...60 s.
Temps de circulation du cycle intermédiaire ² (alternance eau et air)	C5	Cycle intermédiaire de rinçage / purge d'air automatique pour rincer la chambre de rinçage, avant la position de mise en service. Dépend de la longueur du tube.	4 s.	4...8 s.

1**Calcul :**

$$T = \frac{(\text{Longueur tube [m]} \times 12.5^* + \text{capacité chambre de rinçage [ml]}) \times \text{Capacité de tube par m, fixe}}{4 \text{ [ml/s]}}$$

Example :

$$T = \frac{(5 \times 12.5 + 30)}{4} = 23 \text{ s, C3 et C4 doivent prendre au moins cette valeur.}$$

La viscosité et la longueur du tube ont une influence sur le débit de la pompe. Le débit maximum de la pompe à diaphragme utilisée est 5 ml/s. Des viscosités supérieures à 25 Pa s et des longueurs de tube supérieures à 10 m peuvent réduire le débit à 3 ml/s. Nous avons calculé avec une moyenne de 4 ml/s. Pour assurer un remplissage complet de la chambre de rinçage, vérifier l'écoulement de la chambre (démonter le tuyau de vidange d'eau) et vérifier l'écoulement du produit nettoyant après la livraison. Si nécessaire, réajuster les paramètres C3.

Capacités de la chambre de rinçage :

Type	Capacité
InTrac 7XX chambre unique	20 ml
InTrac 7XX chambre double	50 ml
InTrac 798 e	70 ml

2 Tableau du temps de circulation approprié en fonction de la longueur du tube :

Tube longueur	C5
1...5 m	4 s
5...8 m	6 s
8...10 m	8 s

Déroulement du programme

L'EasyClean est fourni avec une programmation standard. Entre les différentes fonctions et au terme de chaque cycle, l'ensemble du système est rincé à l'eau et purgé à l'air.

Les paramétrages standard conduisent au temps de cycle de programme :

Nettoyage : environ 5 min

5 **Fonctionnement**

5.1 **Contrôles par l'opérateur**

Avant mise sous tension, chaque jour et avant chaque changement d'équipe, s'assurer qu'une alimentation en : **air comprimé**, **eau de rinçage** et **énergie électrique** est garantie, que le **réceptif pour produit de nettoyage est bien rempli**.



ATTENTION

Le support rétractable ne peut être mis en position de mesure qu'avant que l'électrode soit montée, sans quoi du fluide de processus pourrait s'échapper du support rétractable.

5.2 **Appoint de produit de nettoyage**



ATTENTION

Porter **l'équipement de protection prescrit** (lunettes de sécurité, gants etc.).

Le débitmètre (accessoire en option) indique s'il y a un débit de fluide. Si aucun fluide ne peut être détecté pendant un processus d'amenée, l'EasyClean génère une alarme « Niveau ». S'offrent alors les possibilités suivantes :

- pas de débit d'eau
- pas d'aspiration de produit de nettoyage (le récipient n'est pas forcément vide ! Voir le chapitre 6.2 « Dépannage »).

5.3 **Commande de l'EasyClean 200 e**



REMARQUE

En position « SERVICE », le contact de maintien (HOLD) de l'EasyClean est toujours fermé.



ATTENTION

Ne pas déposer le capteur du support rétractable avant que le message « SERVICE » n'apparaisse au display. En addition, contrôlez la position du support visuellement.



REMARQUE

Pendant un cycle, les signaux du transmetteur sont ignorés.
Des signaux générés pendant un cycle ne sont pas enregistrés.
Un seul cycle peut être effectué à la fois.

La position du support avant un cycle est identique à la position après le cycle.

Description des touches

Touche	Fonction/cycle	Message/affichage à l'écran de commande	Remarques
« In/Out »	Touche de commutation du mode service en mode mesure	Run (mesure) ou Service	Lorsque le support passe en pos. Mesure, le contact de maintien du transmetteur est levé après 12 secondes. Le capteur est rincé à l'air et à l'eau (25 sec.).
Pression simultanée de « In/Out » et « Water »	Réinitialisation ou interruption du cycle en cours. Le transmetteur passe en mode de maintien. Un bref rinçage à l'eau et à l'air est effectué (25 sec.). Fin du processus.	Rinçage H2O	Le support reste en position service.
« Water »	Le support passe en position Service Le transmetteur passe en mode de maintien Rinçage Fin du processus.	Rinçage H2O	Dependant de la position du support.
« Clean » (nettoyage)	Le support passe en position de Service Le transmetteur passe en mode de maintien Rinçage Nettoyage Rinçage Fin du processus.	Rinçage H2O Nettoyer Rinçage H2O	

5.4 Comportement en cas de coupure de courant ou de panne d'amenée de produits

Plus de pression d'air

Position de mesure

- Si le support est en position de « MESURE », le capteur peut être déplacé par la pression de processus en direction de la position « SERVICE ».
- Dès que l'indicateur de position ne peut plus détecter la position de fin de course, une alarme est activée après 12 secondes.
- Le transmetteur passe en « MAINTIEN ».

Position service

- En position « SERVICE », une disparition de la pression d'air est sans effet direct.
- Dès que l'EasyClean tente de mettre le support en position « MESURE », les indicateurs de position détectent une erreur et déclenchent une alarme après 12 secondes.
- Le transmetteur reste en position de « MAINTIEN ».

Coupure de courant/alimentation

- Le support quitte le cycle et le transmetteur passe en « MAINTIEN ».
- Dès que le courant est restauré, le support se place toujours en position de « MESURE » (affichage « RUN » à l'écran), le transmetteur passe en « MESURE ».

Plus de l'eau ou produit de nettoyage

- Non reconnaissable en l'absence de débitmètre (accessoire en option).
- Avec l'option, l'EasyClean déclenche une alarme lorsqu'aucun liquide n'a pu être détecté pendant 12 secondes.
- Ce message demeure jusqu'à réinitialisation (presser simultanément les touches « In/Out » et « Water » de l'EasyClean). Le support se trouve en fin de processus sur la position de départ.
- Une éventuelle mesure est poursuivie.

6 Maintenance et dépannage

Pour toutes questions relatives à des dérangements ou des réparations, s'adresser au service clientèle local de METTLER TOLEDO. Les adresses figurent à la fin des présentes instructions d'utilisation.

6.1 Maintenance

L'EasyClean 200 e nécessite pas de maintenance, mais quelque peu d'entretien.

Pour éliminer la poussière, les saletés et les taches, on pourra essuyer les surfaces extérieures de l'appareil au moyen d'un chiffon doux mouillé d'eau. Si nécessaire, on pourra également utiliser un détergent doux.



ATTENTION

Ne jamais nettoyer le boîtier au moyen de solvants contenant de l'acétone.

En ce qui concerne le reste du nettoyage (par exemple soufflage de la carrosserie à l'air comprimé, on pourra utiliser de l'air comprimé filtré exempt d'huile (pression < 6 bar).



ATTENTION

L'intérieur du boîtier ne peut être nettoyé avec des liquides ni avec des chiffons humides.



ATTENTION

Veuillez à ne pas rayer ou endommager les surfaces lors du nettoyage de la pompe à piston et du cylindre.

6.2 Dépannage et maintenance



DANGER

Voir le chapitre 2 « Sécurité ».

Les travaux de maintenance ne peuvent être effectués que par un personnel spécialisé. Avant d'ouvrir l'appareil, il est impératif de le déconnecter de sa source d'alimentation électrique !

Problème	Cause(s) possible(s)	Remède
Le capteur ne quitte pas le processus. Le support InTrac ne se déplace pas	Pression d'air non activée. Pression d'air insuffisante. Vanne pneumatique de commande bloquée. Flexibles pneumatiques mal installés ou défectueux. La vanne de commande pneumatique ne reçoit pas d'alimentation électrique. Mauvais contact à la fiche de la vanne de commande pneumatique.	Activer la pression d'air. Augmenter la pression. Nettoyer ou remplacer la vanne. Vérifier l'étanchéité des flexibles. Supprimer d'éventuels plis ou étranglements. Vérifier le câblage selon le chapitre 4.2 « Raccordements » (borne EasyClean 16, brune). Vérifier la fiche A8.

Problème	Cause(s) possible(s)	Remède
Le capteur ne quitte pas le processus. Le support In-Trac ne se déplace pas	<p>Le support n'atteint pas la position finale souhaitée (support bloqué).</p> <p>Le transmetteur passe en « MAINTIEN » et aucun autre cycle n'est effectué.</p> <p>Mauvais fonctionnement de la commande.</p>	<p>Vérifier l'indicateur de position, la pression de commande et le courant.</p> <p>Une fois la cause supprimée, l'instruction entamée est exécutée jusqu'à la fin.</p> <p>Vérifier la commande.</p>
Rinçage insuffisant de l'électrode	<p>Débit d'eau trop faible.</p> <p>Intervalle de rinçage trop long et/ou temps de rinçage trop court.</p> <p>Chambre de rinçage obstruée.</p> <p>Vanne d'eau dans l'unité de vannes bloquée.</p>	<p>Augmenter le débit d'eau (2...4 bar) ou nettoyer les canalisations</p> <p>Raccourcir l'intervalle au transmetteur, augmenter le temps de rinçage sur l'EasyClean.</p> <p>Déposer l'électrode et le support et nettoyer la chambre de rinçage</p> <p>Nettoyer ou remplacer la vanne.</p>
Le nettoyage automatique ne démarre pas	<p>L'intervalle de nettoyage du transmetteur n'est pas reconnu par l'appareil.</p> <p>Le contact de lavage n'est pas activé au transmetteur.</p>	<p>Vérifier le câblage à l'aide du chapitre 4.2 « Raccordements ».</p> <p>Activer le contact de lavage, voir le mode d'emploi du transmetteur</p>
Les touches ne sont pas actives	<p>L'EasyClean effectue un cycle.</p> <p>Pas d'alimentation électrique de l'EasyClean.</p> <p>Mauvaise connexion des contacts aux touches.</p>	<p>Attendre que l'écran de la commande affiche le message « RUN » ou « SERVICE ».</p> <p>Vérifier l'arrivée de courant</p> <p>Vérifier les contacts des touches, voir le chapitre 4.2.</p>
Pas de purge des flexibles à l'air	<p>Pas de pression d'air.</p> <p>Pression d'air insuffisante.</p> <p>Vanne pneumatique L3 bloquée.</p> <p>Flexibles pneumatiques mal installés ou défectueux.</p> <p>Pas d'alimentation électrique de la vanne pneumatique.</p>	<p>Appliquer la pression d'air.</p> <p>Augmenter la pression à 4...6 bar.</p> <p>Nettoyer ou remplacer la vanne.</p> <p>Vérifier l'étanchéité des flexibles, rechercher des plis ou des étranglements des flexibles.</p> <p>Vérifier le câblage selon le chapitre 4.2 « Raccordements » (borne EasyClean 17, fiche rouge).</p>
Pompe à diaphragme ne démarre pas	<p>La pompe à diaphragme ne reçoit aucune alimentation électrique.</p> <p>Pompe défectueuse.</p>	<p>Vérifier le câblage selon le chapitre 4.2 « Raccordements » (borne EasyClean 21, fiche bleue).</p> <p>Remplacer la pompe.</p>

Problème	Cause(s) possible(s)	Remède
La pompe à diaphragme ne déplace que peu ou pas de liquide	La membrane ou la membrane interne du clapet antiretour est encrassée ou défectueuse. Pas de courant à la vanne de nettoyage. Vanne de nettoyage obstruée. Vanne de nettoyage défectueuse. Les tubes de substance sont défectueux ou obstrués.	Enlever la tête de membrane. Nettoyer ou remplacer les membranes. Voir le chapitre 8.2. Vérifier le câblage selon le chapitre 4.2 « Raccordements ». Démonter et nettoyer la vanne, remplacer si nécessaire. Remplacer. Vérifier l'étanchéité des flexibles. Éviter de serres / déformer les tubes.
Le transmetteur ne passe pas en mode de « MAINTIEN »	Mauvais contact. Le signal de commande ou de maintien (« HOLD ») ne se déclenche pas.	Vérifier le câblage selon le chapitre 4.2 « Raccordements ». Vérifier le câblage du transmetteur. Vérifier si le voyant vert sur l'imprimante auxiliaire dans l'unité de commande s'allume pendant 5 s puis, après une pause, pendant 2 s en passant de « RUN » à « SERVICE ». Eventuellement remplacer l'imprimante.
Les indicateurs de position ne sont pas reconnus par l'Easy-Clean	Indicateur de position défectueux. Mauvais contact.	Remplacer l'indicateurs de position. Vérifier le câblage à l'aide du schéma de câblage.
L'écran n'affiche rien	LCD de l'écran défectueuse. Coupure d'alimentation électrique.	Remplacer l'unité de commande par la commande programmable. Vérifier l'alimentation électrique.
L'alarme « Niveau » s'affiche à l'écran	Le débitmètre ne détecte pas de fluide pendant un cycle de rinçage, ou de nettoyage. Mauvais contact.	Vérifier le débitmètre. Vérifier la vanne d'eau ou de nettoyage. Vérifier la canalisation. Vérifier la fonction de la pompe. Vérifier le câblage selon le chapitre 4.2. Vérifier les câbles.

Messages d'erreur (ERROR) de la commande programmable

Messages d'erreur	Cause(s) possible(s)	Remède
TEST EEPROM TEST DISPLAY TEST CLOCK	Autodiagnostic interrompu	Remplacer l'unité d'impression par la commande programmable.
ERROR 12C	COMMANDE défectueuse	Remplacer l'unité d'impression par la commande programmable.
ERROR : EEPROM	Mémoire de câblage de la COMMANDE défectueuse	Remplacer l'unité d'impression par la commande programmable.
ERROR : CLOCK	Défaillance de l'horloge	Remplacer l'unité d'impression par la commande programmable.
ERROR : LCD	LCD défectueuse	Remplacer l'unité d'impression par la commande programmable.
ERROR : ACLOW	Commande défectueuse	Remplacer l'unité d'impression par la commande programmable.

7 **Mise hors service, entreposage, rejet**



DANGER

Voir le chapitre 2 « Sécurité ».

La mise hors service ne peut être entreprise que par un personnel adéquatement formé ou par des spécialistes.

7.1 **Mise hors service**

Procédure

- 1 Couper les alimentations locales en électricité, air comprimé et eau.
- 2 Déconnecter l'appareil du secteur.
- 3 Déconnecter les lignes de signalisation installées.
- 4 Déconnecter les lignes d'air comprimé.
- 5 Démonter l'EasyClean de sa fixation.
- 6 Rincer les flexibles et les vannes à l'eau claire.
- 7 Nettoyer l'appareil au moyen d'un chiffon humide.
- 8 Laisser sécher l'appareil.

7.2 **Entreposage**

Entreposer l'EasyClean en un endroit sec, selon les indications du chapitre 1.3.

7.3 **Protection de l'environnement**



Les produits électriques usagés ne devraient pas être jetés avec les déchets ménagers. Merci de les déposer dans les points de collecte afin qu'ils soient recyclés. Contactez vos autorités locales ou votre vendeur pour obtenir des conseils en matière de recyclage.

8 Informations de commande (produit, pièces de rechange et accessoires)

Prière de compléter les indications suivantes pour les commandes de pièces de rechange :

- numéro d'article de l'appareil
- numéro de série de l'appareil
- numéro de commande de la liste de pièces de rechange ci-après
- nombre de pièces souhaité.

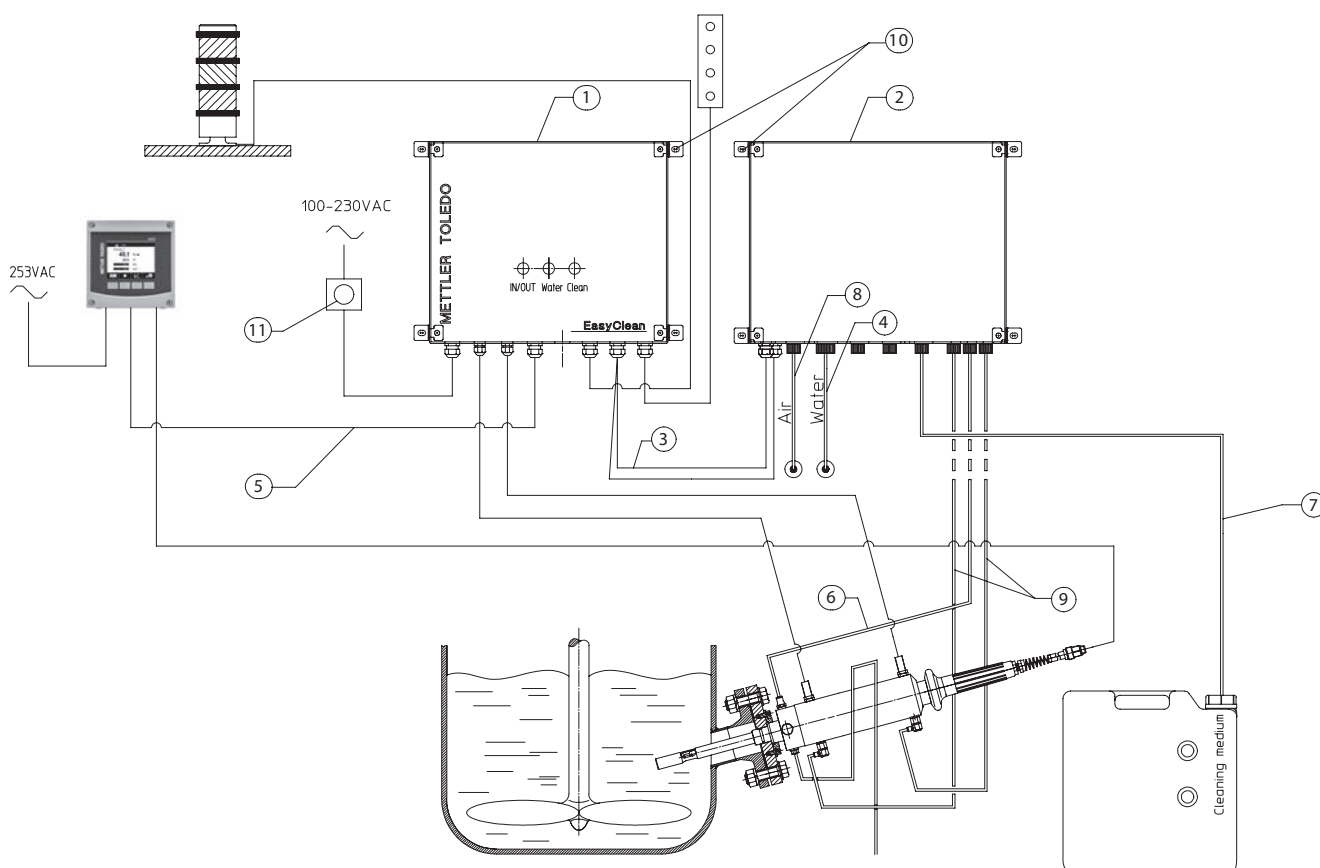
Les adresses du constructeur et du service clientèle figure à la fin de ce manuel.



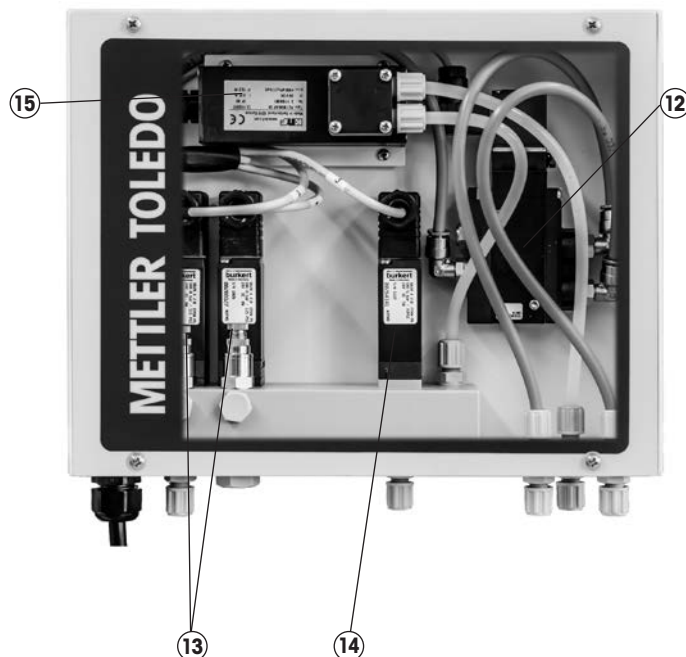
REMARQUE

Les pièces de rechange doivent être conformes aux exigences techniques du constructeur de l'appareil ! Utiliser exclusivement des pièces d'origine.

8.1 Liste des pièces de rechange et accessoires pour l'EasyClean 200 e



Unité de vannes



La livraison de l'EasyClean 200 e comprend :

N°	N° de commande	Désignation
1	52 403 776	Unité de commande EasyClean 200 e avec PLC intégré (Programmable Logic Controller)
2		Unité de vannes avec des vannes pour l'hydraulique et l'air de commande
3		Câble de liaison : unité de commande ➔ unité de vannes (1,5 m)
4		Raccord d'eau : G1/4" femelle ou 1/4" NPT mâle
5		Câble de liaison : unité de commande ➔ transmetteur (5 m)
6/7		Flexible Ø 6/4 mm, longueur 10 m, matériau PTFE
8/9		Flexible Ø 6/4 mm, longueur 10 m, matériau LDPE

Accessoires en option

N°	N° de commande	Désignation
5	52 300 265	Câble de liaison : unité de commande ➔ transmetteur (5 m)
5	52 300 266	Câble de liaison : unité de commande ➔ transmetteur (10 m)
6/7	52 402 283	Flexible PTFE Ø 6/4 mm, 5 m
8/9	52 402 314	Flexible LDPE pour raccordement d'air comprimé, 20 m
10	52 402 306	Kit de montage mural, complet
11	52 402 317	Bouton d'alarme (arrêt d'urgence)

Pièces de rechange

N°	N° de commande	Désignation
12	30 414 592	Vanne de commande pneumatique pour EasyClean 200 e
13	30 414 593	Vanne d'eau et d'air pour EasyClean 200 e
14	30 414 594	Vanne de produit de nettoyage pour EasyClean 200 e
15	30 414 595	Pompe à diaphragme pour EasyClean 200 e

For addresses of METTLER TOLEDO
Market Organizations please go to:
www.mt.com/contacts

www.mt.com/pro

For more information



Management System
certified according to
ISO 9001/ISO 14001



METTLER TOLEDO Group
Process Analytics
Local contact: www.mt.com/contacts

Subject to technical changes.
© 05/2023 METTLER TOLEDO
All rights reserved.
Printed in China. 30 404 676 H



* 3 0 4 0 4 6 7 6 H *